



RAZER CORE X V2

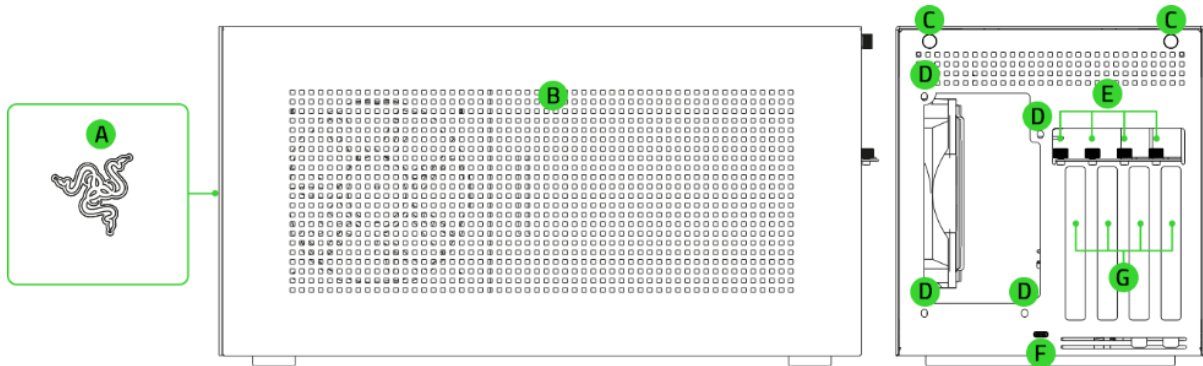
MASTER GUIDE

CONTENTS

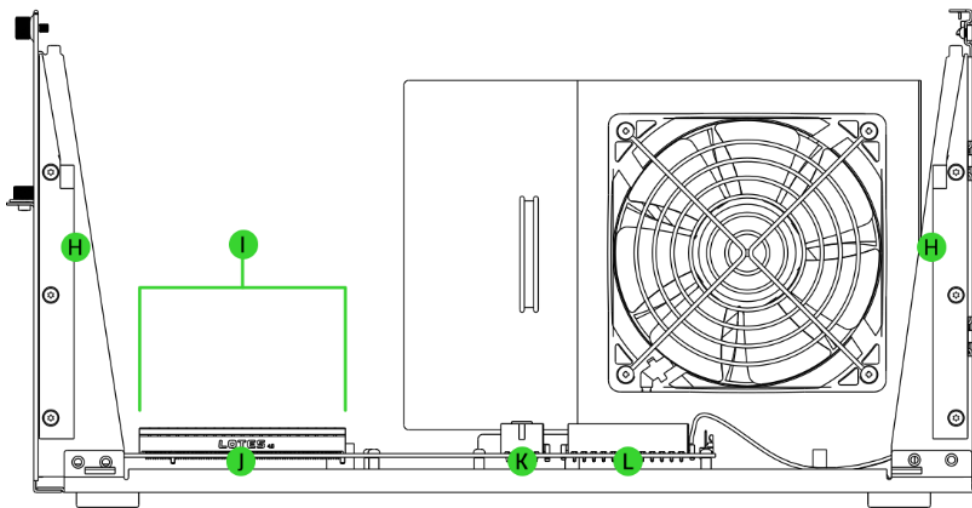
1. WHAT'S INSIDE	2
2. WHAT'S NEEDED	3
3. LET'S GET YOU COVERED	4
4. SETTING UP THE eGPU	5
5. CONFIGURING YOUR RAZER CORE X V2	11
6. SAFETY AND MAINTENANCE	23
7. LEGALESE.....	25

1. WHAT'S INSIDE

- Razer Core X V2

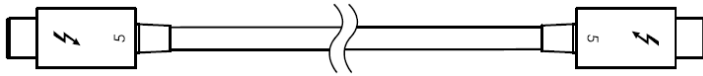


- A. Backlit Razer logo lighting
- B. Aluminum chassis cover
- C. Chassis thumbscrews
- D. Power supply mount thumbscrews
- E. Slot cover thumbscrews
- F. Thunderbolt™ 5 / USB Type C port (upstream)*
- G. PCI-E slot covers



- H. Chassis groove slots
- I. Power supply seat
- J. PCI-E port
- K. 8-pin (or 4+4 pin) 12V EPS power connector
- L. 24-pin ATX power connector

- Thunderbolt™ 5 (USB Type C) cable



- 4 x spare power supply mount thumbscrews



- Important Product Information Guide

**Supports Power Delivery 3.1 charging up to 140W.*

2. WHAT'S NEEDED

PRODUCT REQUIREMENTS

- Thunderbolt™ 5, Thunderbolt™ 4 or USB 4 enabled systems with external graphics support*
- Compatible PCI-E graphics card**
- Compatible Power Supply Unit (PSU)**

RAZER SYNAPSE REQUIREMENTS

- Windows® 10 64-bit (or higher)
- Internet connection for software installation

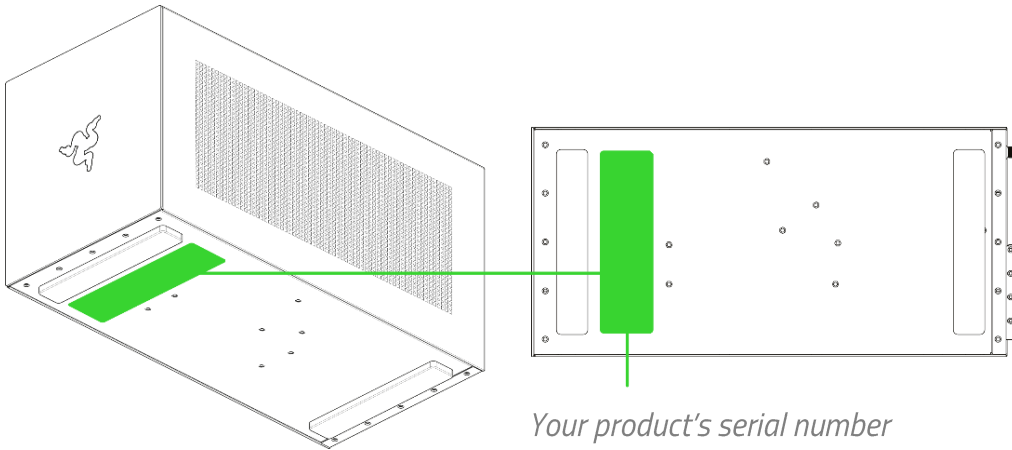
**Please check with your laptop manufacturer to confirm if your laptop supports Thunderbolt™ external graphics.*

***The PSU and PCI-E graphics card are not included. Make sure the PSU matches the graphics card's power requirements, including an extra 230W to power the eGPU. For supported dimensions, compatibility details, and to download the latest driver and firmware updates, visit support.razer.com*

3. LET'S GET YOU COVERED



Register your product and score exclusive benefits
razerid.razer.com/warranty

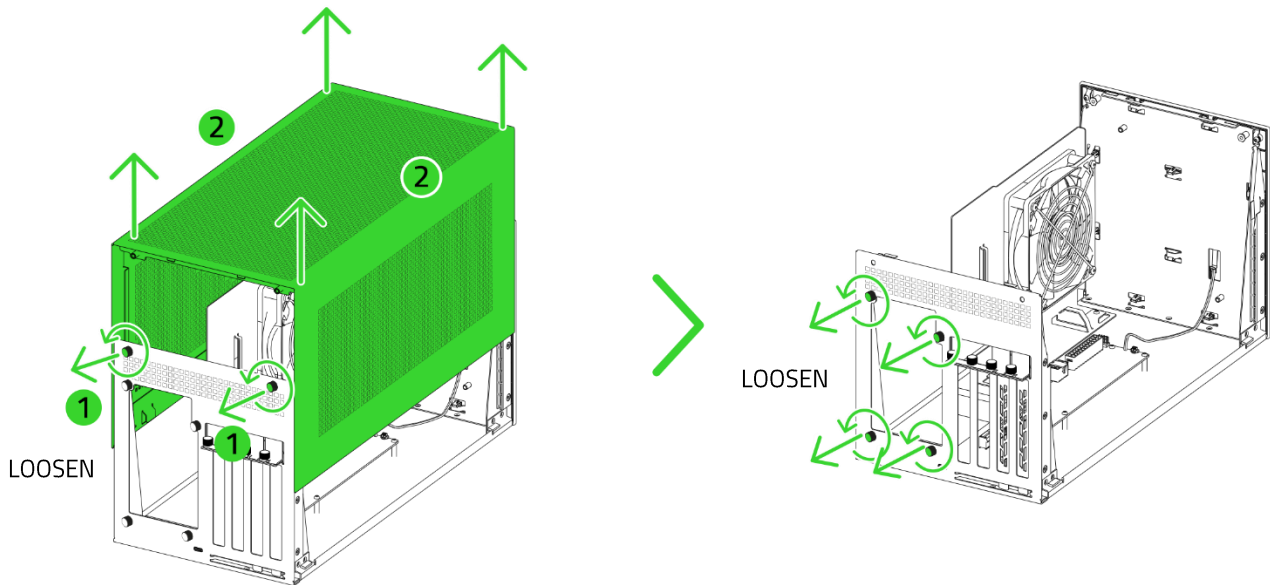


*Your product's serial number
can be found here.*

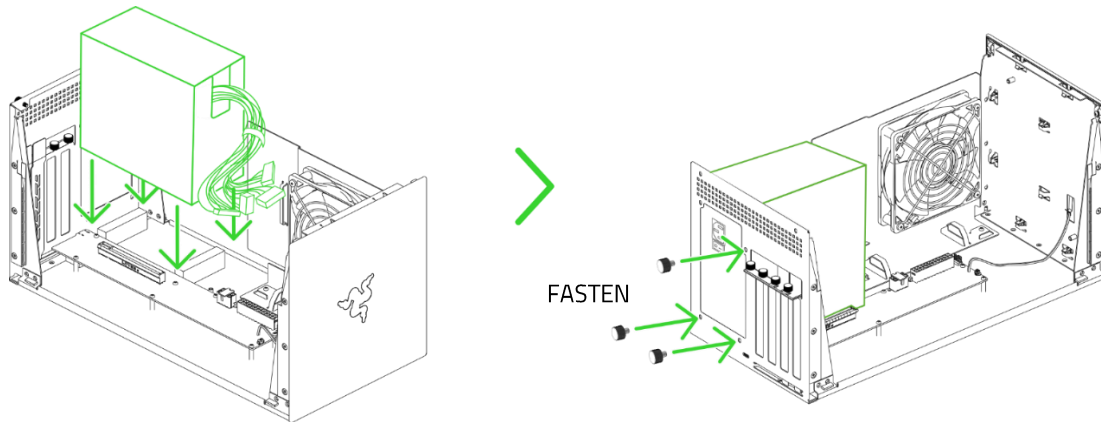
4. SETTING UP THE eGPU

i It's recommended to use antistatic/ESD bands or gloves when installing any internal components to prevent static electricity from damaging sensitive components.

1. Loosen the chassis thumbscrews to remove the chassis cover, and remove the power supply mount thumbscrews.



2. Install the power supply and fasten the power supply mount thumbscrews to hold it in place.



i Power supply not included.

CAUTION:

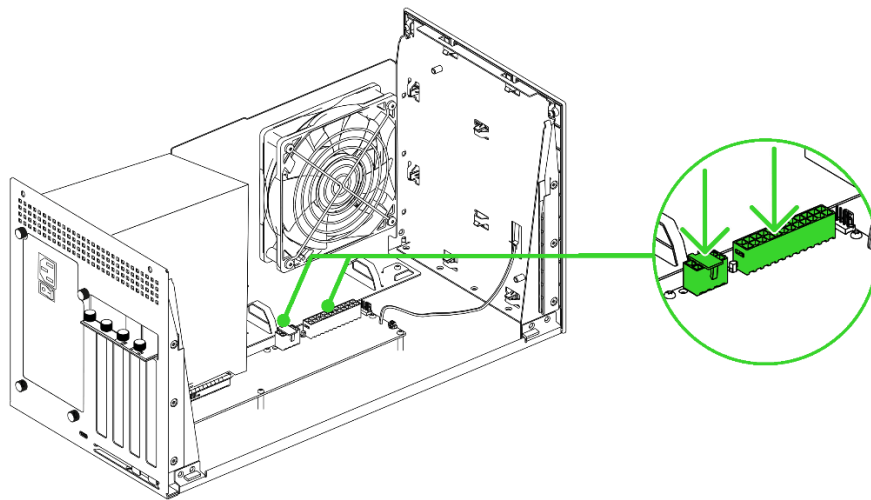
- Make sure the power supply matches the graphics card's power requirements, including an extra 230W to power the eGPU. It's highly recommended to use a power supply with higher wattage than required.

- *When installing and mounting the power supply, make sure the fan is facing outward. Securely fasten the mounting screws to keep the power supply firmly in place.*

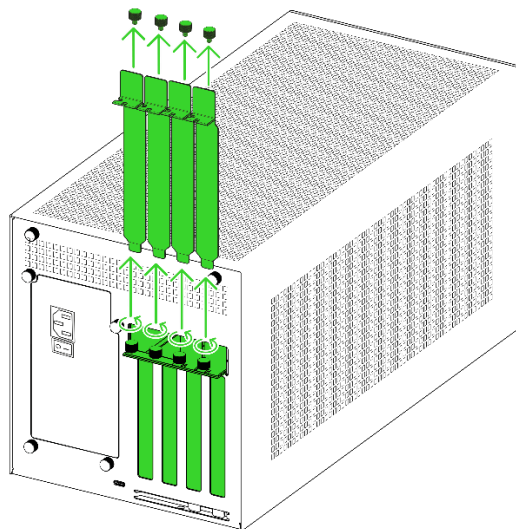
Maximum supported power supply dimensions:

- Length: 150 mm / 5.9 in
- Width: 160 mm / 6.3 in
- Height: 86 mm / 3.39 in

3. Connect the power supply to the 8-pin (or 4+4 pin) 12V EPS and 24-pin ATX power connectors.

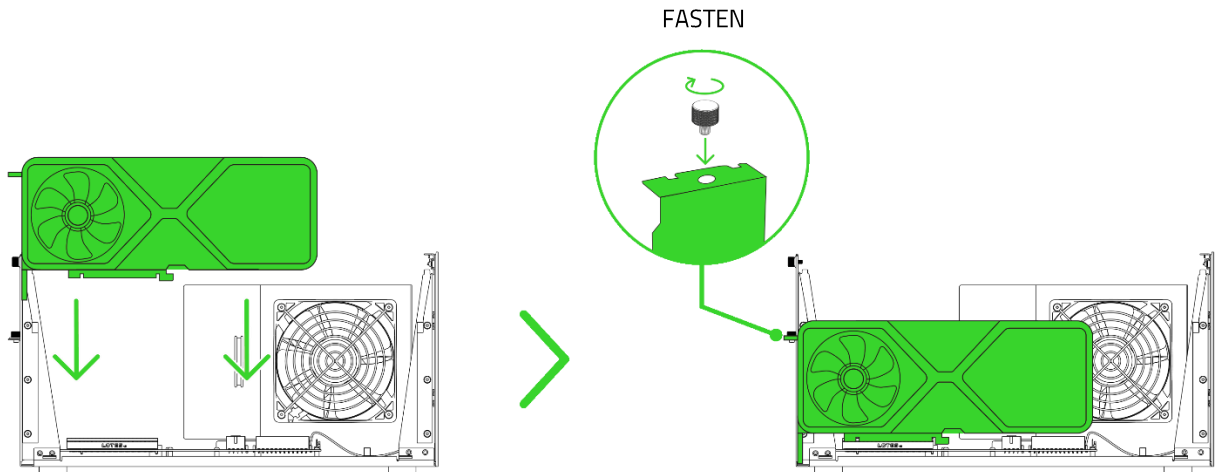


4. Remove the slot covers required for the graphics card.



i *Only remove the slot covers required for the graphics card.*

5. Install the graphics card into the PCIE port and secure it with the needed slot thumbscrew(s) to hold it firmly in place.

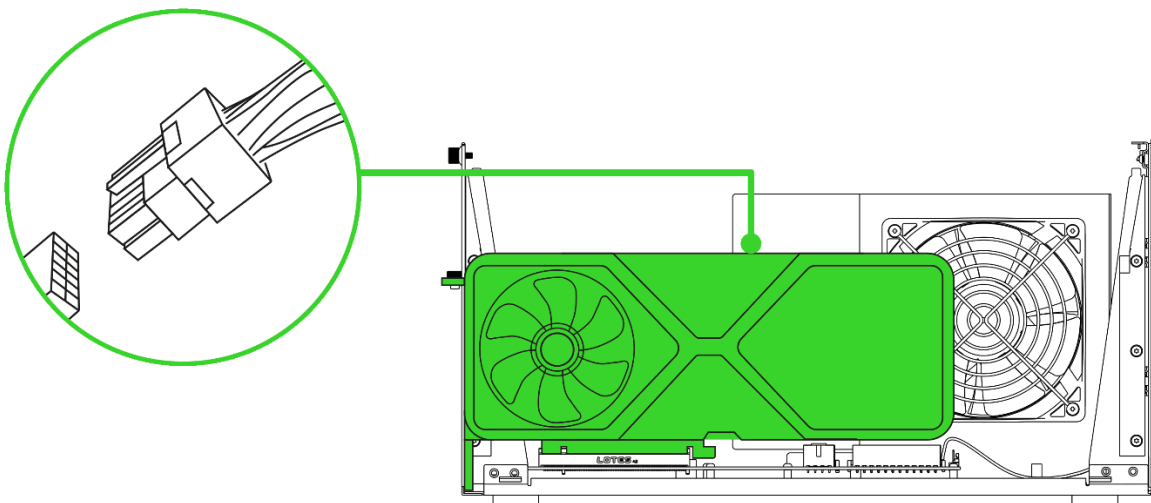


i Graphics card not included.

Maximum supported graphics card dimensions:

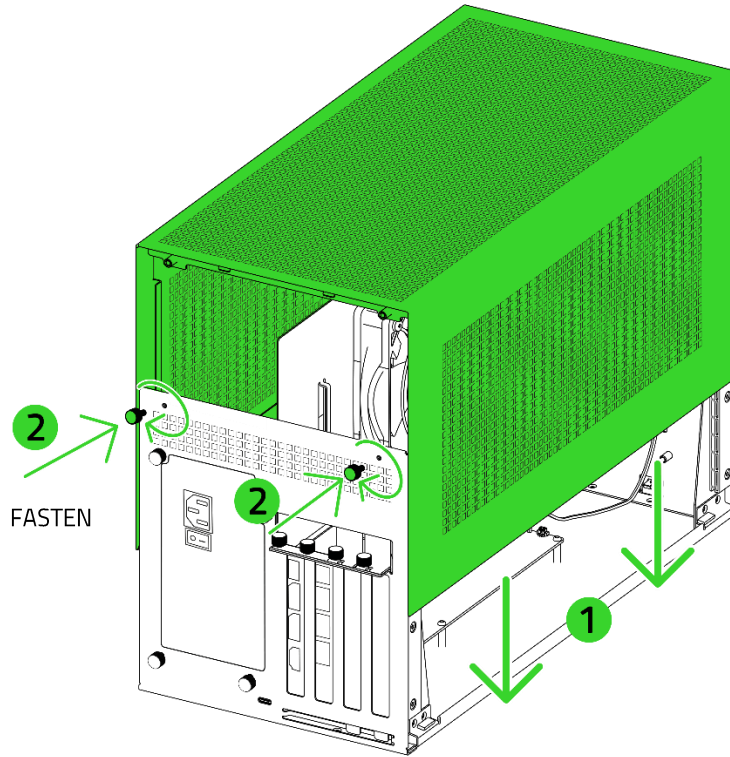
- Length: 360 mm / 14.2 in
- Width: 82 mm / 3.2 in
- Height: 170 mm / 6.7 in

6. Connect the appropriate power connector(s) from the power supply required for the graphics card.

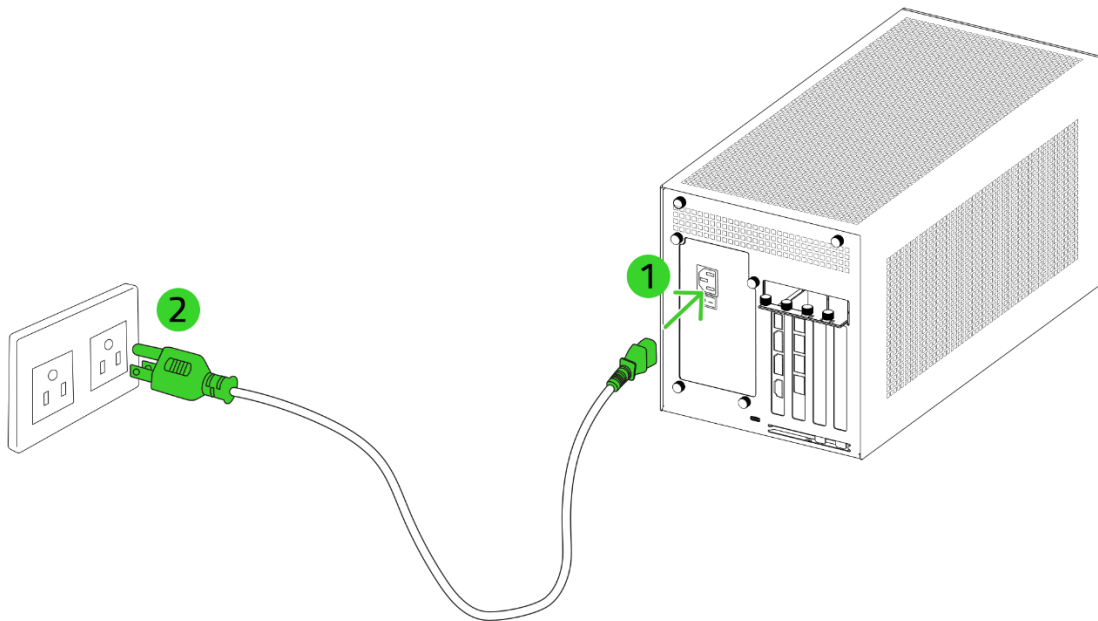


i Make sure to connect the power connection required for the graphics card.

7. Reinstall the chassis cover and fasten its thumbscrews.

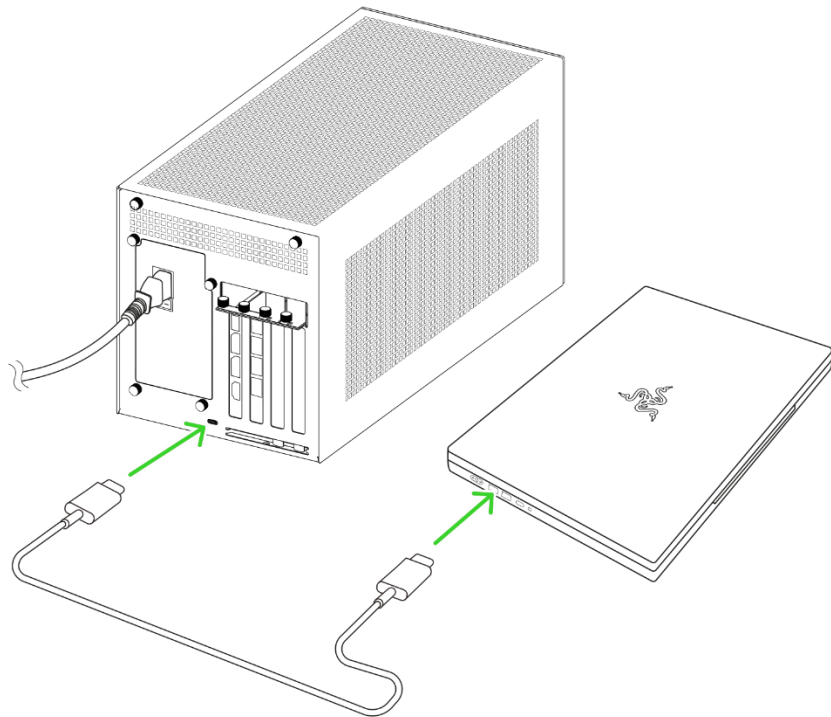


8. Plug the Razer Core X V2 to a power outlet.



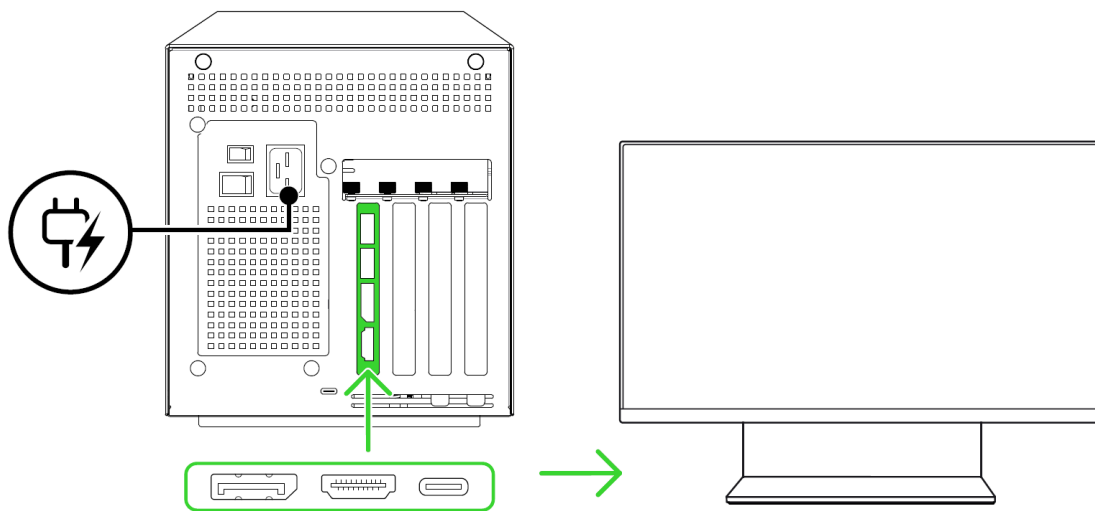
i Only use the appropriate power cord for your region.

9. Connect the Razer Core X V2 to the Thunderbolt™ 5, Thunderbolt™ 4 or USB 4 port of your compatible external graphics enabled system using the Thunderbolt™ 5 (USB Type C) cable.



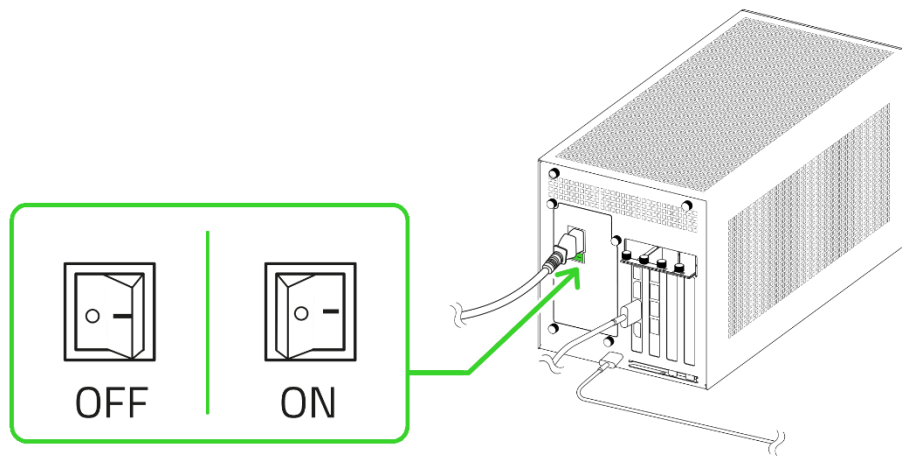
i Only use a compatible Thunderbolt™5 (USB Type C) cable.

10. (Optional) Connect the Razer Core X V2 to your external monitor using any of the display ports on the installed graphics card.



**Available ports may vary.*

11. Switch on the power supply.



i Install Razer Synapse when prompted, or download the installer from razer.com/synapse.

Find out more about your brand-new eGPU at support.razer.com

5. CONFIGURING YOUR RAZER CORE X V2

i *Disclaimer: This guide provides an overview of the New Razer Synapse app and may only partially cover some of the features of your device. The New Razer Synapse requires an Internet connection to install, update, access, and save cloud-based features. Registering for a Razer ID account is recommended but optional. All features listed here are subject to change based on the current version, connected device(s), and supported add-ons.*

SYNAPSE

The Synapse tab is your default tab when you first launch Razer Synapse. Use the following buttons below to navigate the user interface:

— Minimize

Clicking this button will minimize the app to the taskbar while it runs in the background.

☐ Maximize

This button expands the browser window to fill the entire screen. To restore the window to its original size, click the maximize button again.

✕ Close

This button will close all relevant tabs and terminate the application completely.

< Previous Tab

Clicking this button will return you to the last tab you have visited.

> Next Tab

Clicking this button will move you to the next page if you've recently used the Previous Tab button.

🔄 Refresh Tab

This button reloads the current page. Use this if a page isn't displaying correctly or you want to see the latest content.

⬇️ Download Update

If this button appears, that means there are changes to the app. Use this if a page isn't displaying correctly or you want to see the latest content.

☰ More

Clicking this button will open a pop-up so you can easily access your Devices, Modules, and Other Installed Apps tabs.

⚙ Settings

Clicking this button will open the Settings tab, so you can quickly change the settings to this app.

👤 Profile

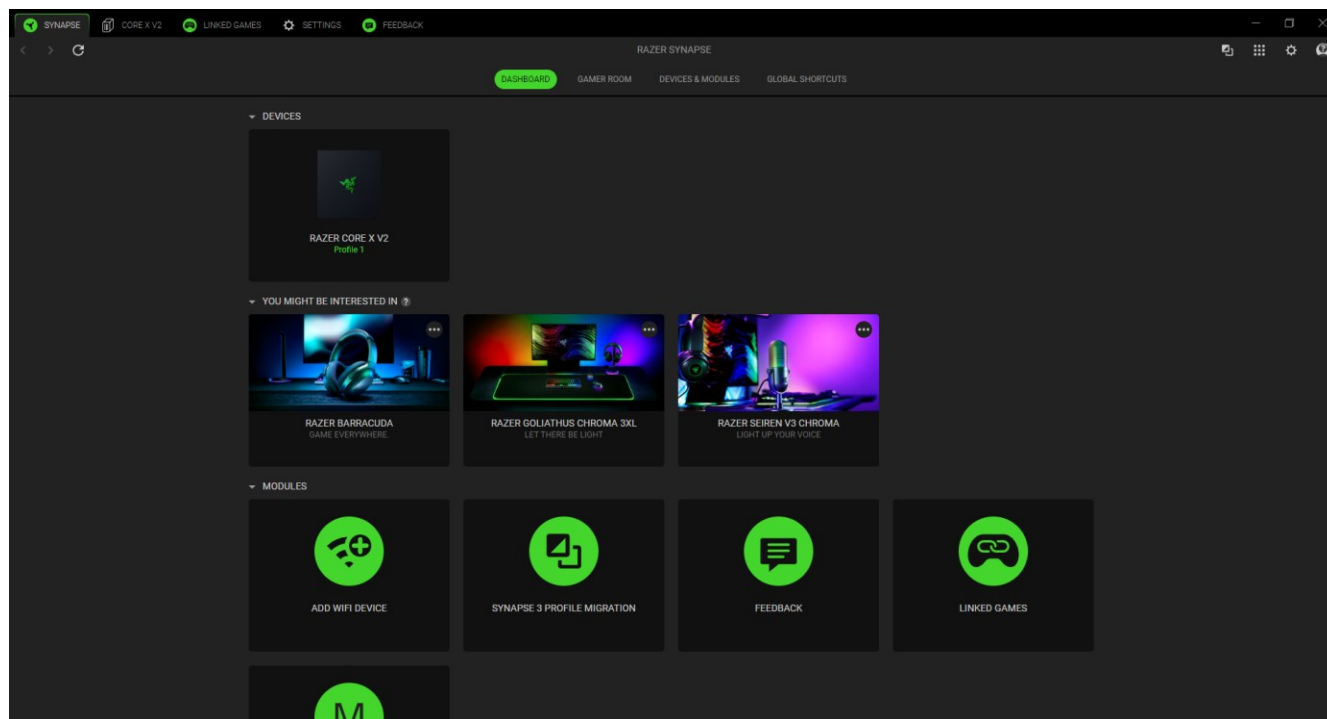
This button will open a pop-up to access the Log In, Feedback, Rate This Software, Add WiFi Device, and Exit options.

❓ Info

Hovering over this button will pop up an additional information about a feature or function.

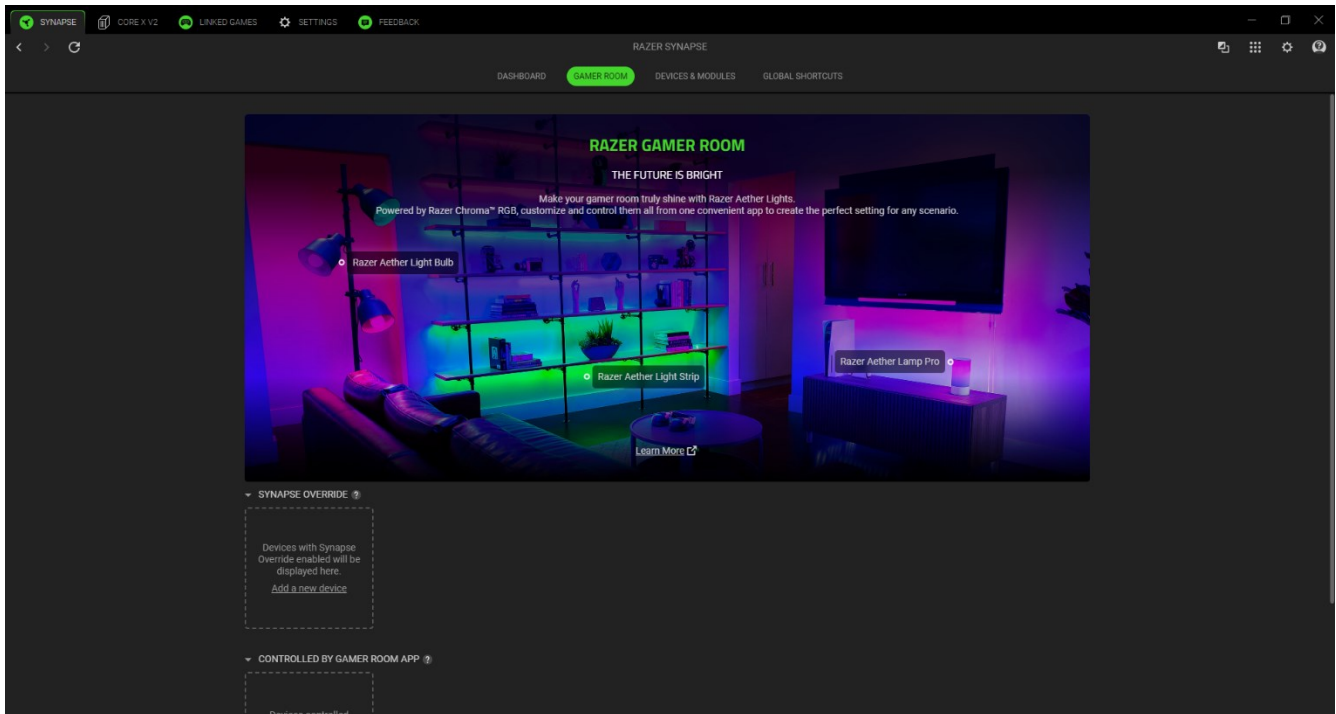
Dashboard

The Dashboard subtab is an overview of your Razer Synapse, where you can access all your Razer devices, modules, and online services.



Gamer Room

The Gamer Room subtab shows all devices with the Razer Aether Light feature. From here, you can view and manage your Gamer Room-supported devices.



Synapse Override

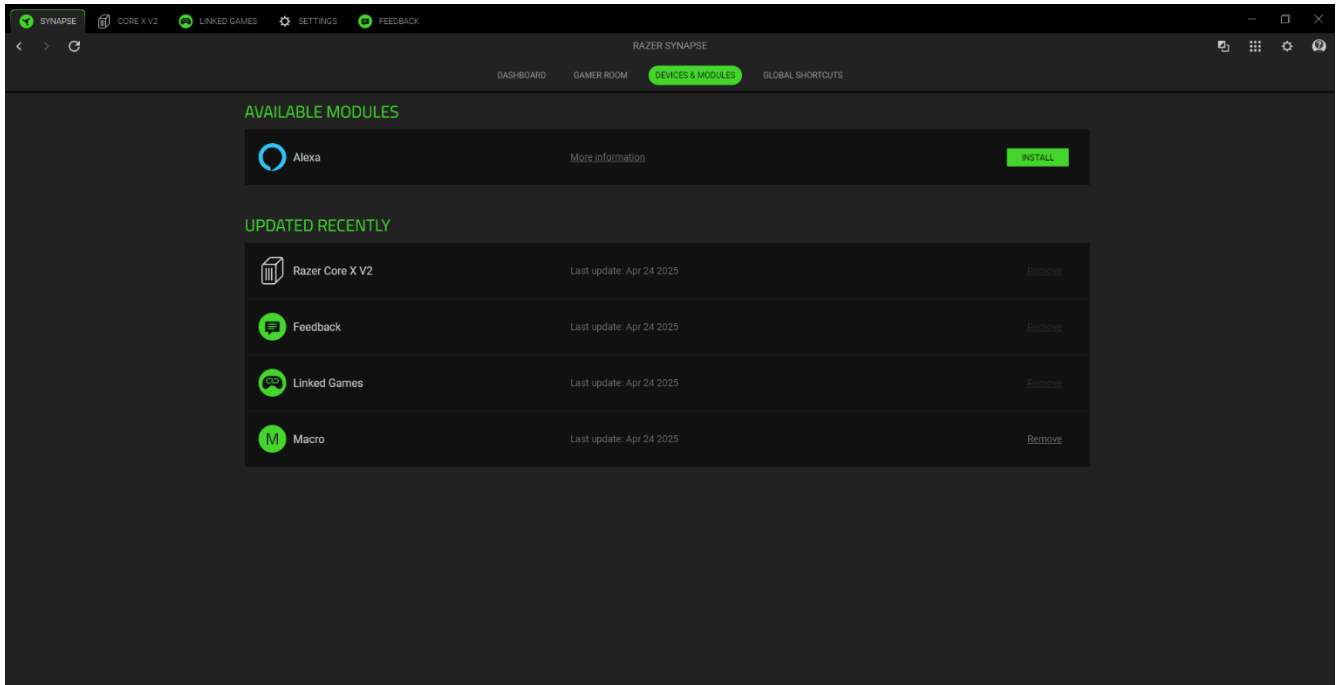
This section allows you to select and customize your device's lighting and make it react to Chroma-enabled games and Chroma Connect apps using Razer Synapse.

Controlled By Gamer Room App

This section displays all supported devices controlled remotely by the Gamer Room app.

Devices & Modules

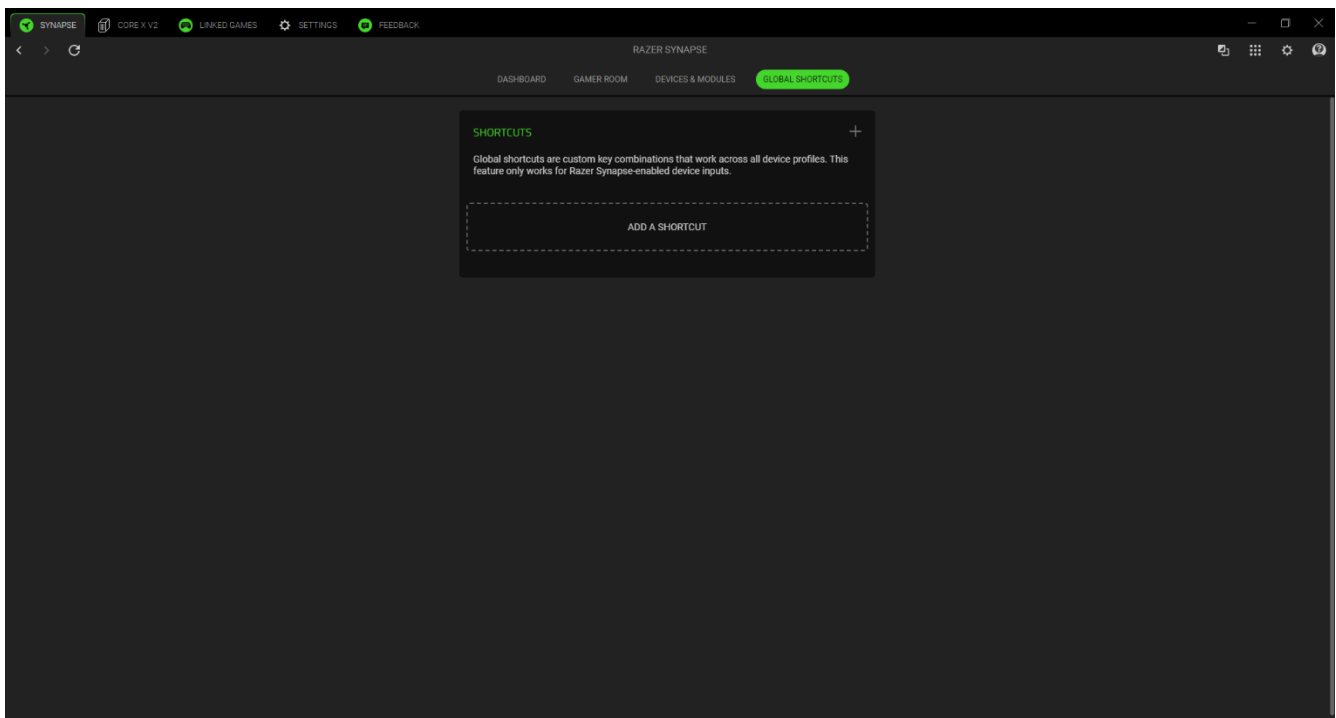
The Modules subtab displays all installed and available modules for installation.



Global Shortcuts

Bind operations or Razer Synapse functions to custom key-combinations from any Razer Synapse-enabled device inputs, which apply across all device profiles.

! *Only Razer Synapse-enabled device inputs will be recognized.*



CORE X V2

The Core X V2 tab is the main tab for your eGPU. You can change your device settings from here, such as fan speed profile and lighting. Any changes under this tab will be saved automatically to your local system and cloud storage. Use the following buttons below to access your profile options:

Profiles Dropdown Bar

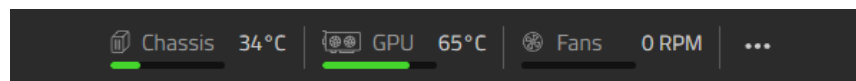
Clicking this dropdown bar will display all the profiles for this device so you can quickly change profiles.

... Miscellaneous

Clicking this button will open a pop-up with options related to your current profile.

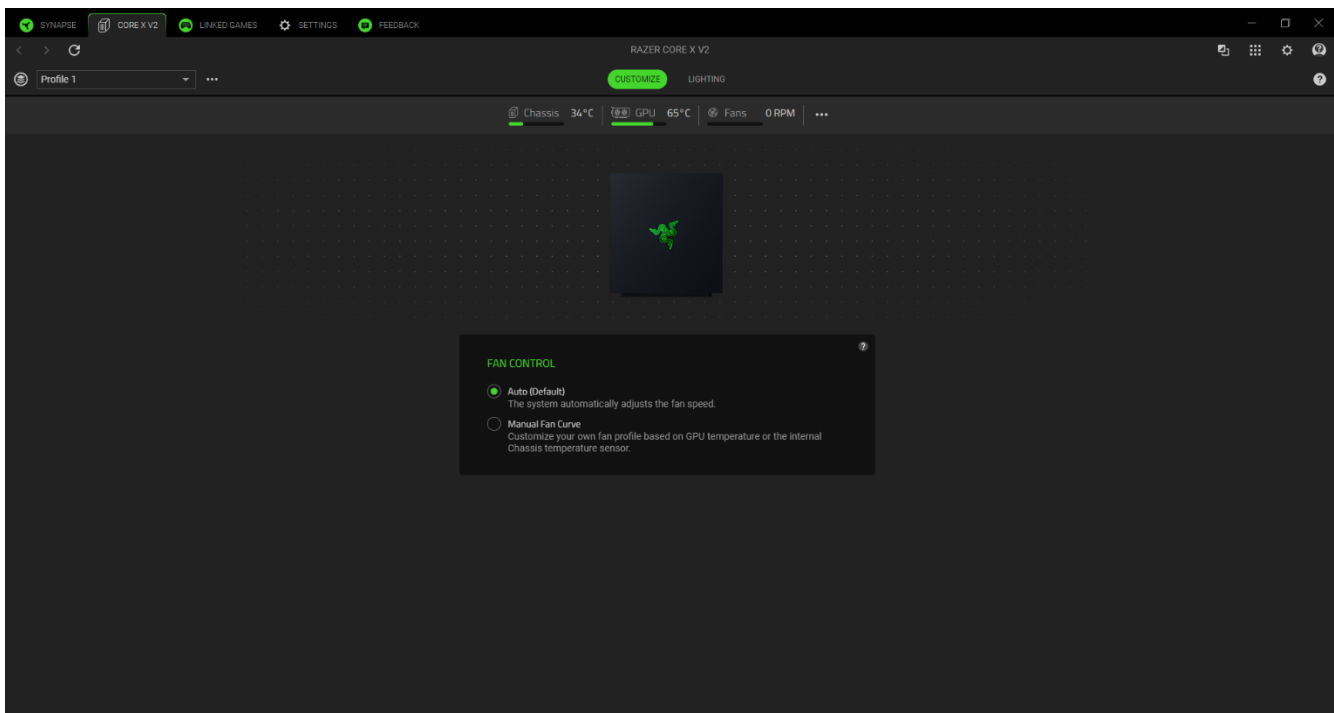
Performance Bar

The Performance Bar displays real-time metrics for chassis temperature, GPU usage, and fan speed. To customize or hide it, press the miscellaneous button (...).



Customize

The Customize subtab is for modifying your eGPU's fan speed settings and lighting.



Profile

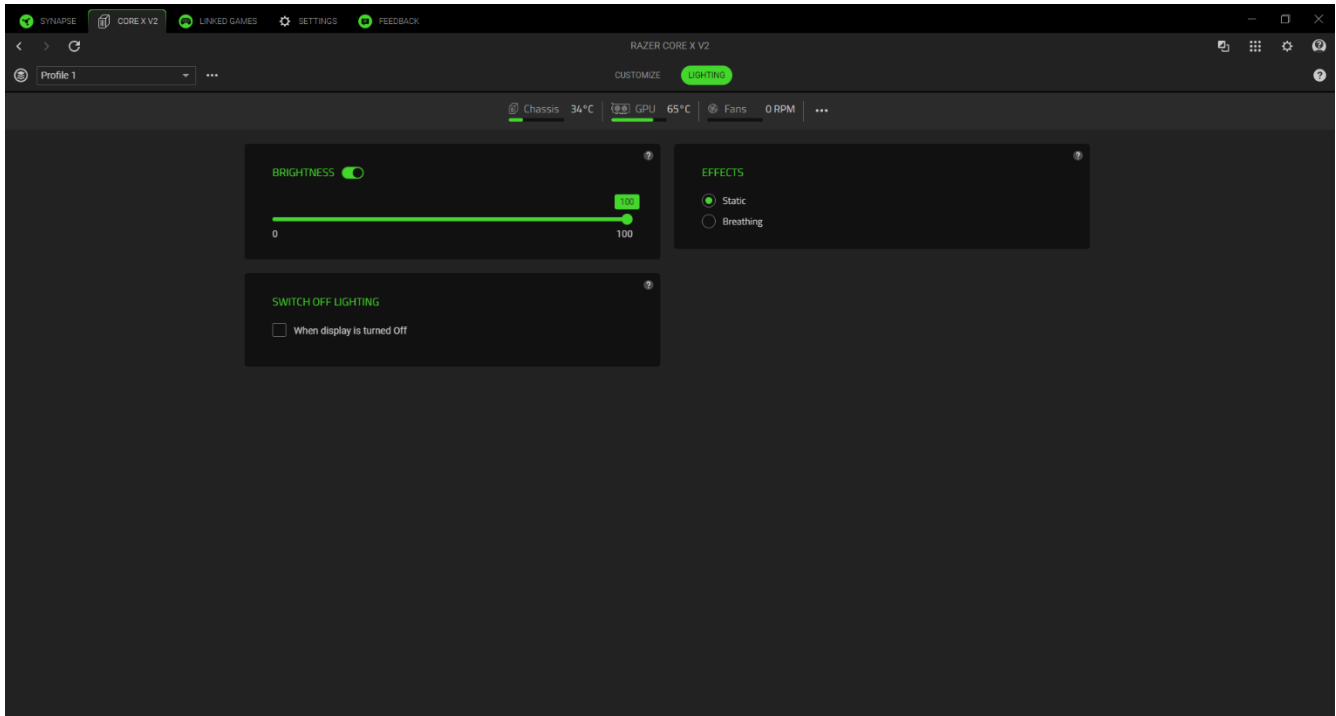
Profile is a data storage system that keeps all your Razer device settings. By default, the profile name is based on your system's name. Clicking the dropdown bar (▾) will display all profiles for this device so you can quickly switch between them. To add, import, rename, duplicate, export, or delete a profile, press the profile's corresponding Miscellaneous button (...).

Fan Control

Select Auto for optimal fan speed based on current temperature or Manual fan curve to customize speed according to chassis and GPU temperature.

Lighting

The Lighting subtab enables you to modify your Razer device's light settings.



Brightness



You can turn off your Razer device's lighting by toggling the Brightness option or increase/decrease the luminance using the slider.

Switch Off Lighting

This is a power saving tool which allows you to disable your device's lighting in response to your system's display turning off.

Effects

Change the lighting effect of the Razer logo.

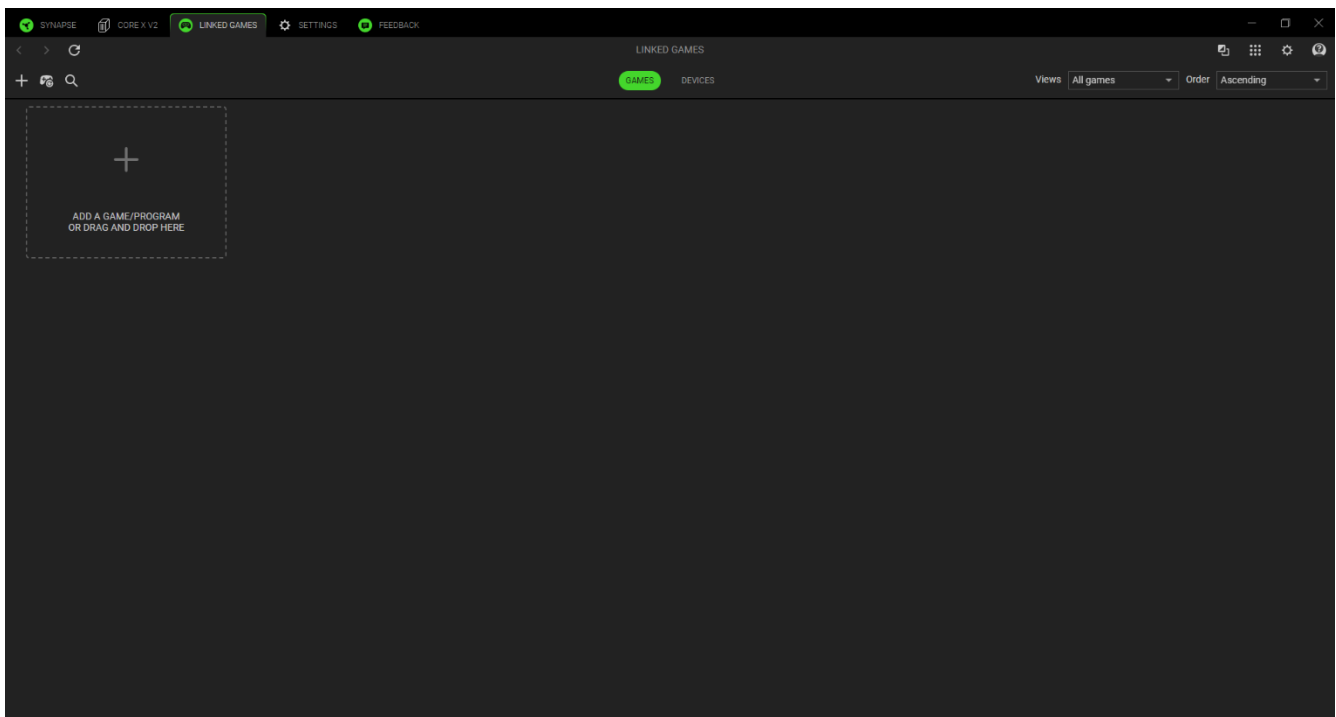
	Name	Description
	Static	The Razer logo will remain lit
	Breathing	The Razer logo lighting will fade in and out

LINKED GAMES

The Linked Games tab allows you to add apps, view peripherals linked to apps, or search for listed apps.

Games

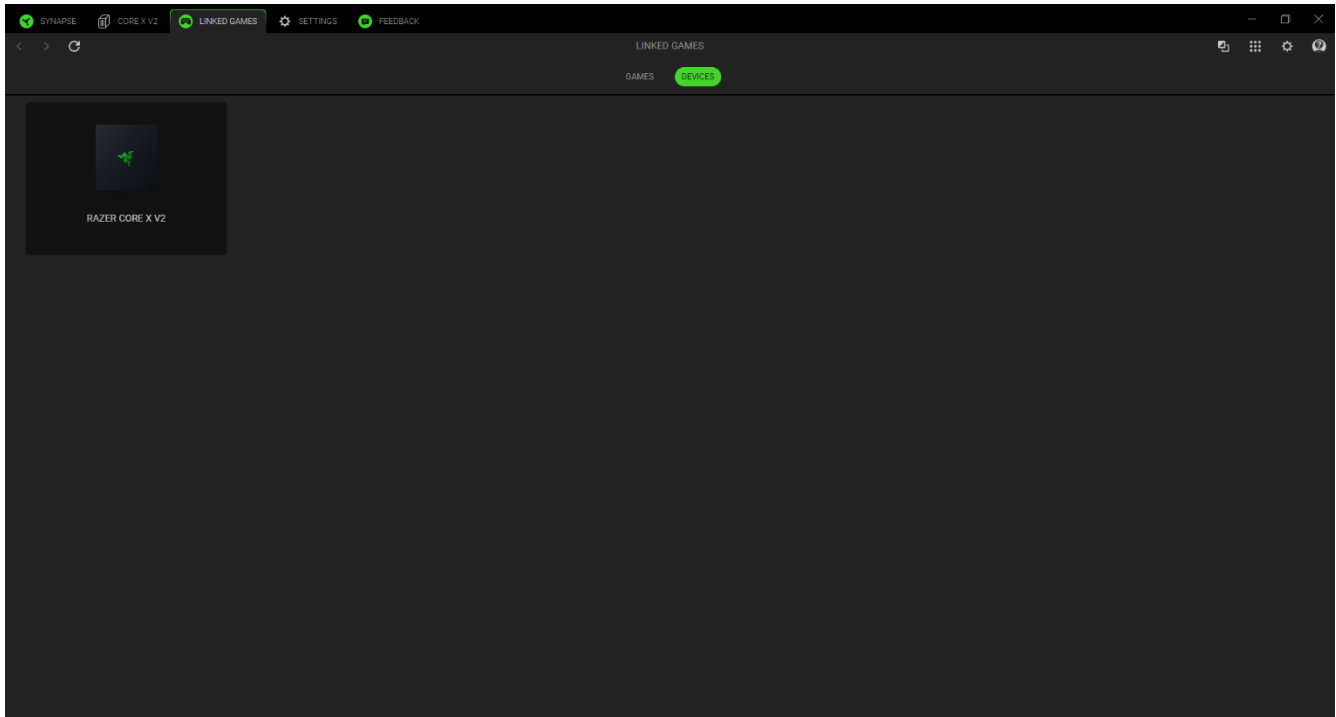
The Games subtab enables you to link apps to your peripherals. You can also sort apps based on alphabetical order, last played, or most played. Apps will still be listed here, even if not linked to a Razer device. To add an app that is not listed on the screen, you can use the Add button (+) to search for it manually or use the Scan button (🔍) to search for it automatically. Click the Search button (🔍) to look for a specific game or program from the list.



To link an app to your Razer device, click on it from the list and select a device and its profile. This will automatically set your device to the selected profile whenever you launch the app.

Devices

The Devices subtab lets you view your peripherals and determine which apps are linked to them. By selecting a device, you can see a list of linked apps, add new apps, or remove linked apps. You can filter these apps by using the Views and Order dropdown list. To add an app not listed on your peripheral, you can drag and drop the executable file inside the box or use the Add button (+) to open the search window. While inside the search window, you can click the Refresh button (↻) to rescan installed apps, the Search button (🔍) to look for a specific game or program from the list, or the Browse link to search for the app manually.



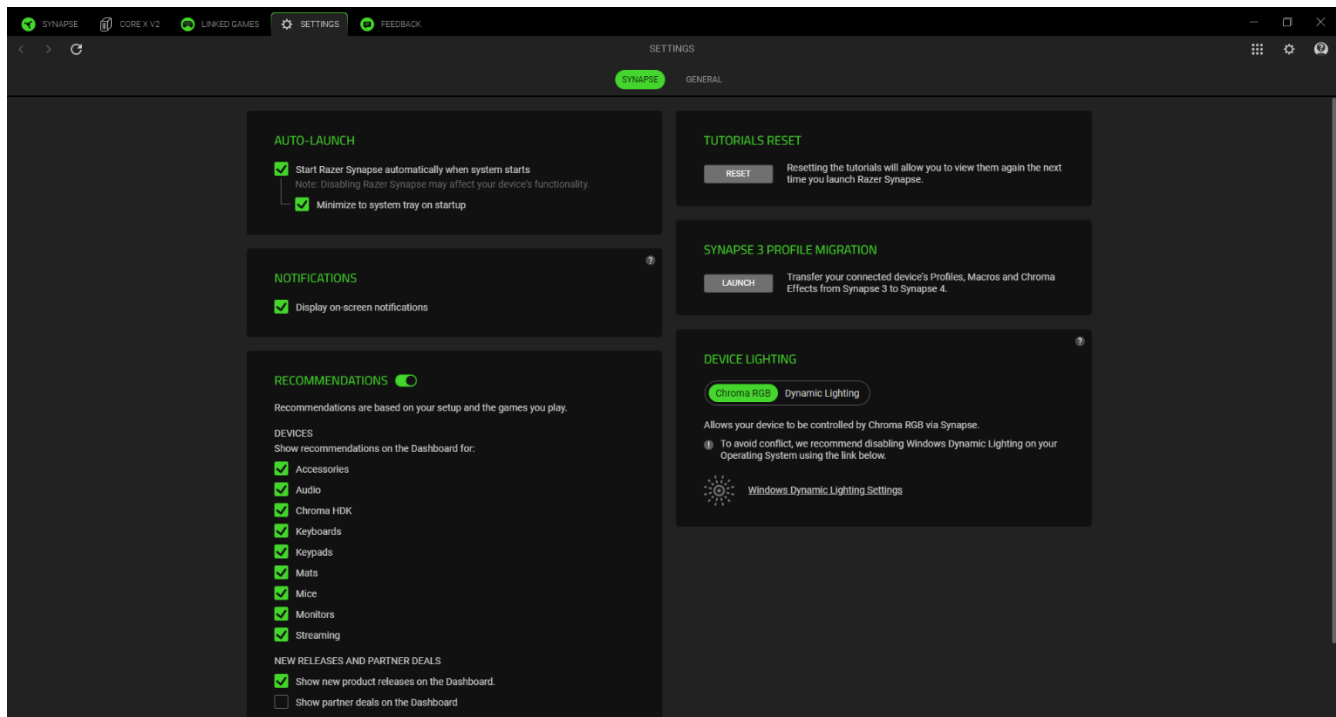
To link an app to your Razer device, click the tick box at the top left corner of the app while inside the search box. This will automatically set your device to the selected profile whenever you launch the app.

SETTINGS

The Settings tab, accessible by clicking the Settings button (⚙️), enables you to configure numerous options as listed below:

Synapse

The Synapse subtab is where you can find options that are specific to the app.



Auto Launch

The Auto Launch option allows you to configure the startup behavior the app.

Notifications

The Notifications option allows the app to display on-screen notifications even if you run full-screen apps.

Recommendations

Recommendations enable us to show the latest products and features on your Dashboard based on your installed devices and linked games.

Tutorials Reset

Selecting the Reset button will reactivate all tutorials that help you acquaint yourself with Razer Synapse's features.

Synapse 3 Profile Migration

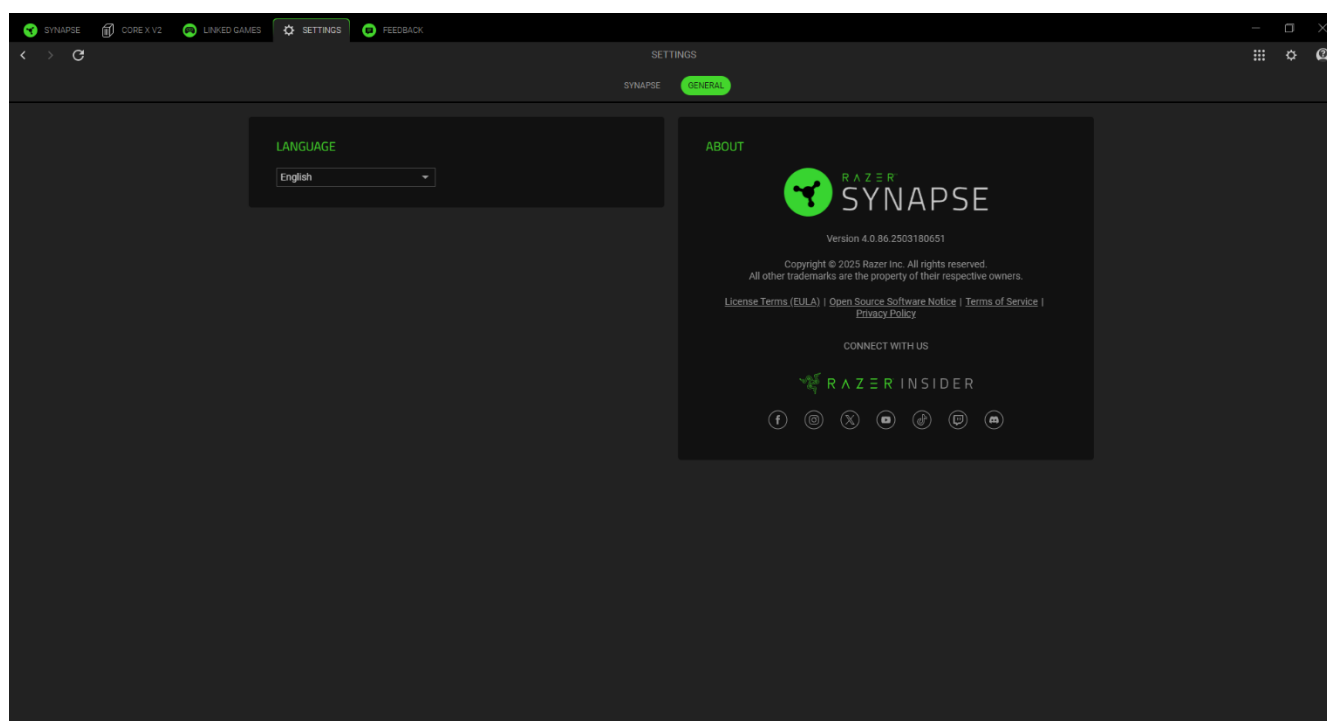
This function lets you transfer all your device's Profiles, Macros, and Chroma Effects from Synapse 3 to the new Synapse.

Device Lighting

This option lets you choose which app will control the lighting effects on your device.

General

The General subtab is the section where you can access miscellaneous options for your app, as well as find additional information about the software.



Language

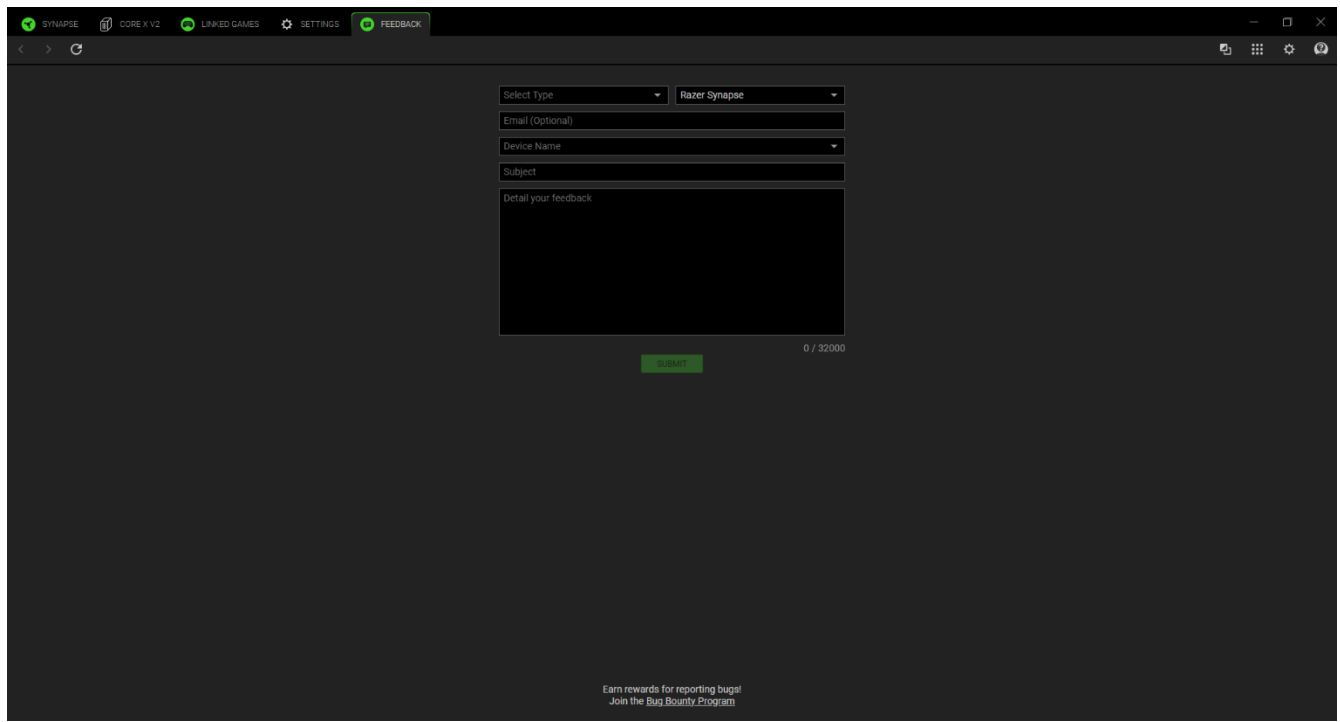
This option lets you change the display language of Razer Synapse.

About

The About section shows the current software version, displays the copyright statement, and provides relevant links for Razer's terms of use. You may also use this option to access Razer's social communities quickly.

FEEDBACK

Help us improve Razer Synapse by giving your comments, suggestions, and problems with the software. You can contact us directly using this tab and even earn rewards for reporting bugs.



The screenshot shows the Razer Synapse Feedback form interface. At the top, there is a navigation bar with tabs for SYNAPSE, CORE X V2, LINKED GAMES, SETTINGS, and FEEDBACK. The FEEDBACK tab is active. Below the navigation bar, there is a form with the following fields:

- Select Type: Razer Synapse
- Email (Optional):
- Device Name:
- Subject:
- Detail your feedback:

A green SUBMIT button is located below the feedback text area. To the right of the button, the character count 0 / 32000 is displayed. At the bottom of the form, there is a small text link: Earn rewards for reporting bugs! Join the Bug Bounty Program.

6. SAFETY AND MAINTENANCE

SAFETY GUIDELINES

To achieve maximum safety while using your Razer Core X V2, we suggest that you adopt the following guidelines:

- Should you have trouble operating the device properly and troubleshooting doesn't work, unplug the device and contact the Razer hotline or go to support.razer.com for assistance.
- Make sure that the eGPU is switched off, unplugged from the outlet, and that all other connected devices are powered off and unplugged (if any) from the device, before installing or uninstalling any internal component.
- To avoid potential issues, make sure the power supply unit (PSU) you select meets the graphics card's power requirements, including an additional 230W for the eGPU.
- Before replacing any installed graphics card, make sure the eGPU is switched off and unplugged from both your system and the power outlet. Allow the graphics card to cool down before installing the new one.
- When unplugging any connected devices and/or cables, always pull its plug or connector. Don't forcefully tug on its cord.
- Only use accessories provided with your eGPU, and only purchase accessories made and/or approved by Razer.
- Use caution when operating the device to avoid electrical shock or damage, such as switching it off and unplugging its power supply during thunderstorms, ensuring that your hands are dry before using (and handling) the device, keeping it away from any source of liquid and/or heat source, and using all other reasonable precautions needed under the circumstances.
- If you need to move the eGPU, switch it off and disconnect all cables. Handle it carefully to avoid shocks or drops.
- Regularly check for firmware updates at support.razer.com. These updates will help improve the stability and compatibility of your eGPU.
- Place the device on a clean and stable surface that allows adequate air ventilation.
- Keep the device away from liquid, humidity or moisture. Operate the device only within the specific temperature range of 0°C (32°F) to 40°C (104°F). Should the temperature exceed this range, unplug and/or switch off the device in order to let the temperature stabilize to an optimal level.

MAINTENANCE

The Razer Core X V2 requires minimum maintenance to keep it in optimum condition. Once a month, we recommend that you switch off, unplug the eGPU from both the power outlet and your system, and clean it using a soft cloth to prevent dirt buildup. Don't use soap or harsh cleaning agents.

7. LEGALESE

COPYRIGHT AND INTELLECTUAL PROPERTY INFORMATION

©2025 Razer Inc. All rights reserved. Razer, the triple-headed snake logo, Razer logo, “For Gamers. By Gamers.” and “Razer Chroma” logo are trademarks or registered trademarks of Razer Inc. and/or affiliated companies in the United States and other countries. Actual product may differ from pictures. All other trademarks are the property of their respective owners.

Thunderbolt and the Thunderbolt logo are trademarks of Intel Corporation in the U.S. and/or other countries.

Windows and the Windows logo are trademarks or registered trademarks of the Microsoft group of companies.

Razer Inc. (“Razer”) may have copyright, trademarks, trade secrets, patents, patent applications, or other intellectual property rights (whether registered or unregistered) concerning the product in this guide. Furnishing of this guide does not give you a license to any such copyright, trademark, patent or other intellectual property right. The Razer Core X V2 (the “Product”) may differ from pictures whether on packaging or otherwise. Razer assumes no responsibility for such differences or for any errors that may appear. Information contained herein is subject to change without notice.

LIMITED PRODUCT WARRANTY

For the latest and current terms of the Limited Product Warranty, please visit [razer.com/warranty](https://www.razer.com/warranty).

LIMITATION OF LIABILITY

Razer shall in no event be liable for any lost profits, loss of information or data, special, incidental, indirect, punitive or consequential or incidental damages, arising in any way out of distribution of, sale of, resale of, use of, or inability to use the Product. In no event shall Razer's liability exceed the retail purchase price of the Product.

GENERAL

These terms shall be governed by and construed under the laws of the jurisdiction in which the Product was purchased. If any term herein is held to be invalid or unenforceable, then such term (in so far as it is invalid or unenforceable) shall be given no effect and deemed to be excluded without invalidating any of the remaining terms. Razer reserves the right to amend any term at any time without notice.