



RAZER PANTHERA EVO

MASTER GUIDE

The **Razer Panthera Evo** is the successor to the Razer Panthera—with improved pushbuttons and speed using Razer™ Mechanical Switches, featuring shorter actuation points for ultra-fast response and an industry-leading durability of up to 30 million taps. It provides the ability to change artwork and swap alternate parts to fit your fighting style, and a 3.5 mm headset port for an immersive audio experience. The 8-button Vewlix style layout with Sanwa lever promises a genuine arcade feel with improved response.

CONTENTS

1. PACKAGE CONTENTS / SYSTEM REQUIREMENTS.....	3
2. REGISTRATION / TECHNICAL SUPPORT.....	4
3. TECHNICAL SPECIFICATIONS.....	5
4. DEVICE LAYOUT.....	6
5. SETTING UP YOUR RAZER PANTHERA EVO.....	8
6. USING YOUR RAZER PANTHERA EVO.....	9
7. CUSTOMIZING YOUR RAZER PANTHERA EVO	11
8. SAFETY AND MAINTENANCE	21
9. LEGALESE	23

1. PACKAGE CONTENTS / SYSTEM REQUIREMENTS

PACKAGE CONTENTS

- Razer Panthera Evo arcade stick for PS4®
- Important Product Information Guide

SYSTEM REQUIREMENTS

- PlayStation®4 or PC* (Windows 7 and above) with a free USB port

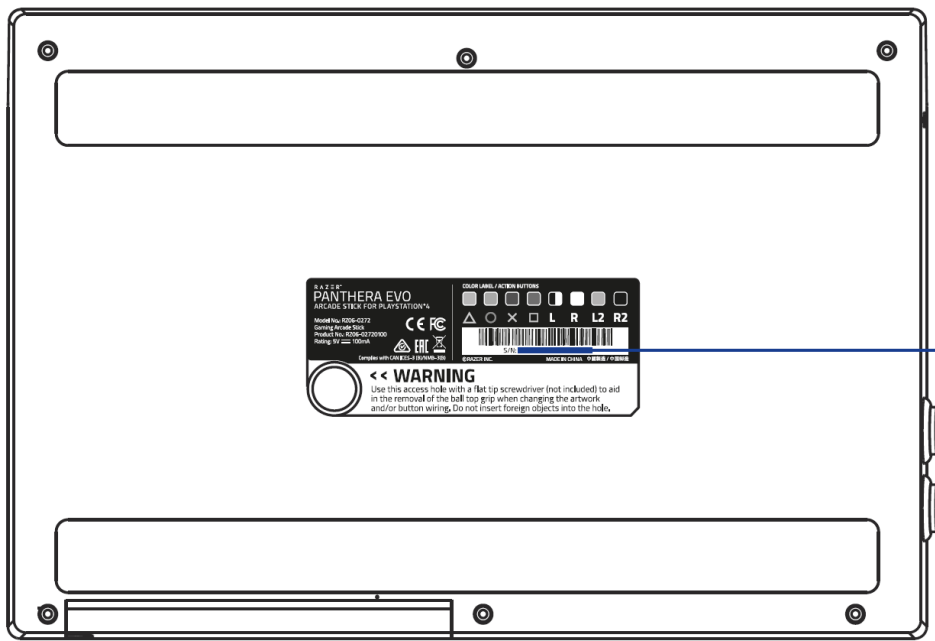
 *PC compatibility not tested nor endorsed by Sony Interactive Entertainment Inc.*

2. REGISTRATION / TECHNICAL SUPPORT

REGISTRATION

Register your product online at razerid.razer.com/warranty using your Razer ID to get real-time information on your product's warranty status.

If you haven't registered for a Razer ID yet, register now at razerid.razer.com to get a wide range of Razer benefits.



Your product's serial number can be found here.

TECHNICAL SUPPORT

- 1 year limited manufacturer's warranty.
- Free online technical support at support.razer.com

3. TECHNICAL SPECIFICATIONS

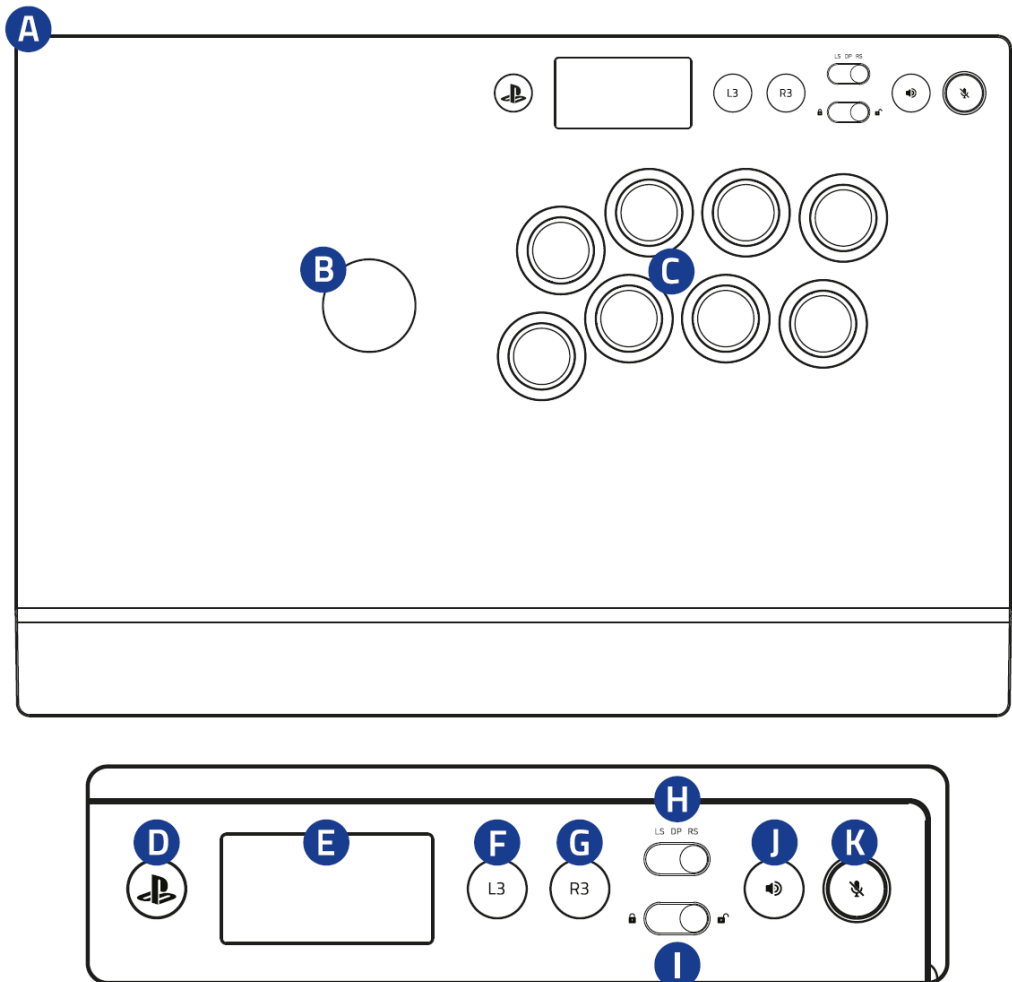
TECHNICAL SPECIFICATIONS

- Pushbuttons with Razer™ Mechanical Switches
- Artwork customization
- 3.5 mm analog headset compatible for PS4
- 8-button Vewlix style layout & Sanwa lever
- 9.8 ft / 3 m hard wired cable

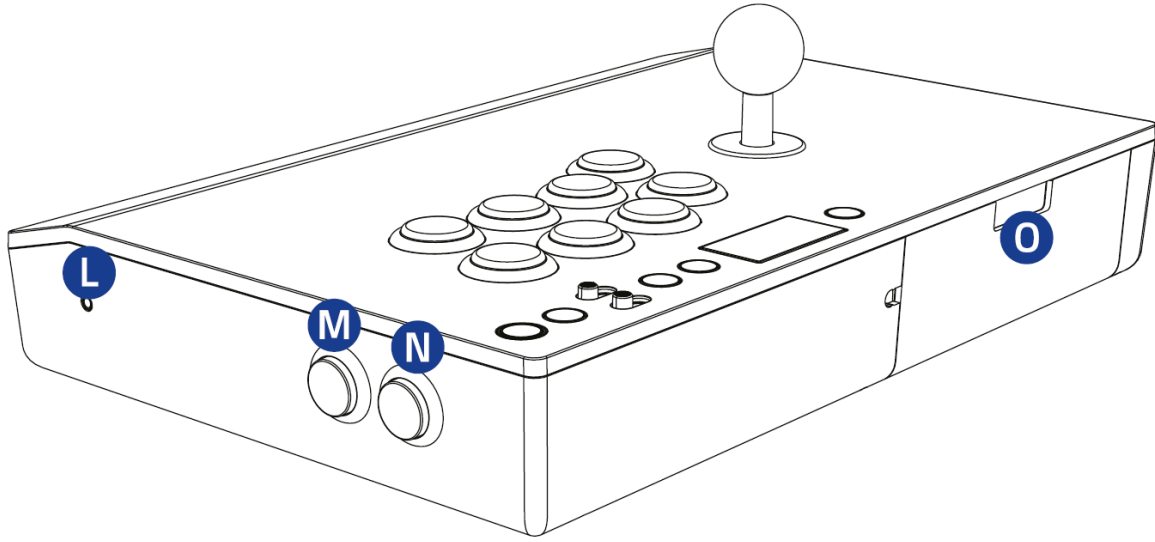
APPROXIMATE SIZE & WEIGHT

- Length: 385 mm / 15.2 in
- Width: 260 mm / 10.2 in
- Height: 121 mm / 4.7 in
- Weight: 2.1 kg / 4.6 lbs

4. DEVICE LAYOUT



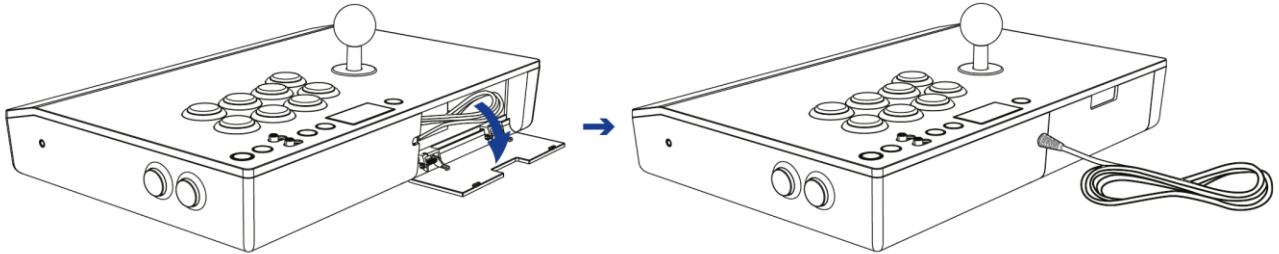
- A. Plate cover with interchangeable artwork
- B. Authentic Sanwa Denshi™ joystick with ball top grip
- C. Razer™ Mechanical Switches pushbuttons
- D. PS button
- E. Touch pad
- F. L3 button
- G. R3 button
- H. Control stick switch
(Left Analog Stick, Directional Pad, Right Analog Stick)
- I. Lock / unlock switch
- J. Volume control button
- K. Mic mute button



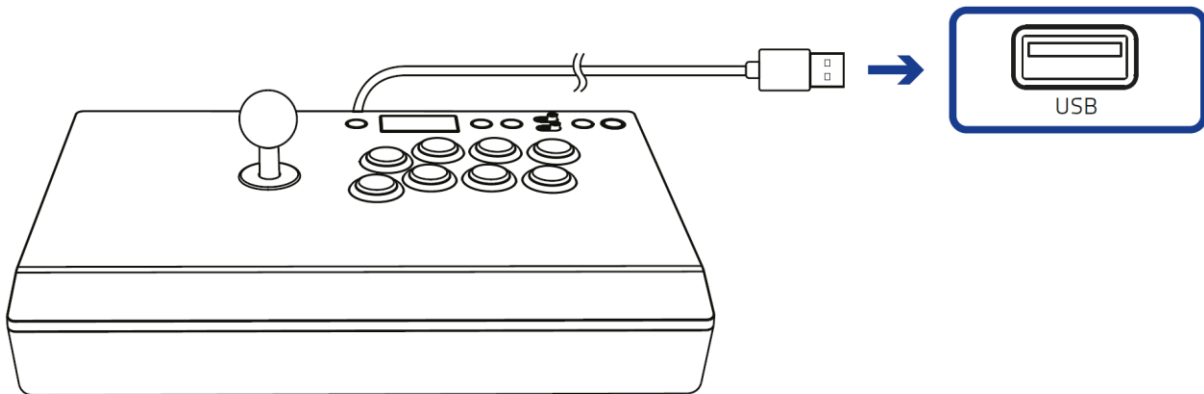
- L. Headset port
- M. OPTIONS button
- N. SHARE button
- O. Cable compartment

5. SETTING UP YOUR RAZER PANTHERA EVO

1. Open the cable compartment and take out the Razer Panthera Evo's USB cable.



2. Connect the Razer Panthera Evo to the USB port of your PlayStation®4.



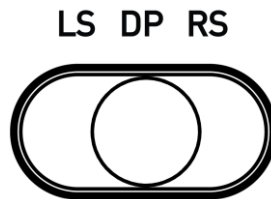
3. Press the PS button and your Razer Panthera Evo is ready to go.




6. USING YOUR RAZER PANTHERA EVO

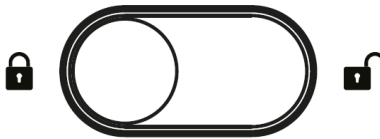
CONTROL STICK SWITCH

Use the Control Stick Switch to shift the joystick's controller function to either left analog stick (LS), directional pad (DP), or right analog stick (RS).



LOCK / UNLOCK SWITCH

Setting this switch to Lock () will disable the SHARE, OPTIONS, and PS buttons.



AUDIO VOLUME CONTROL BUTTON

Press the Audio Volume Control button to cycle through the volume levels of the Headset Port. You may also press and hold the Audio Volume Control button, and then flick the joystick upwards or downwards to increase or decrease the audio volume of the Headset Port respectively. You will hear a notification tone when the headset port volume reaches its lowest or highest setting.



MIC MUTE BUTTON

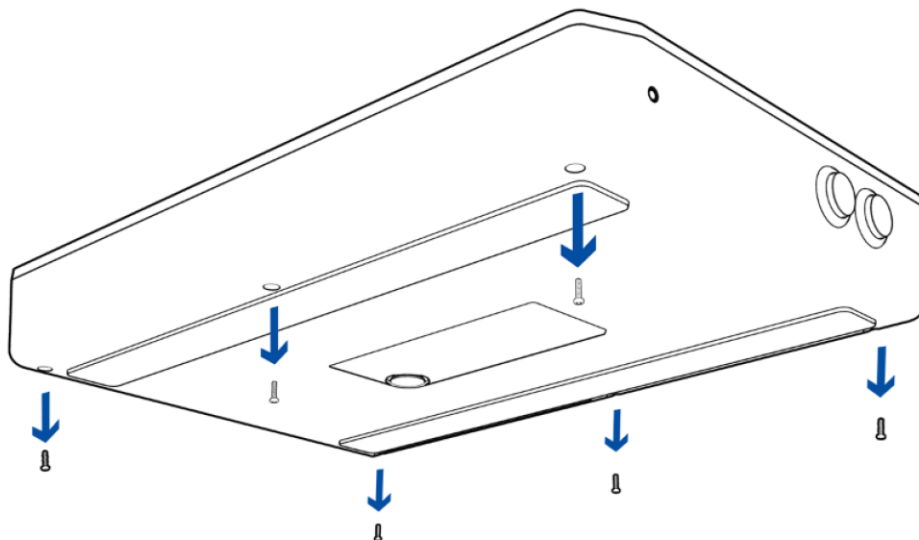
The Mic mute button allows you to mute or unmute the microphone of a headset connected to the Headset port. The mic mute button will light up in red when the connected headset's microphone has been muted.



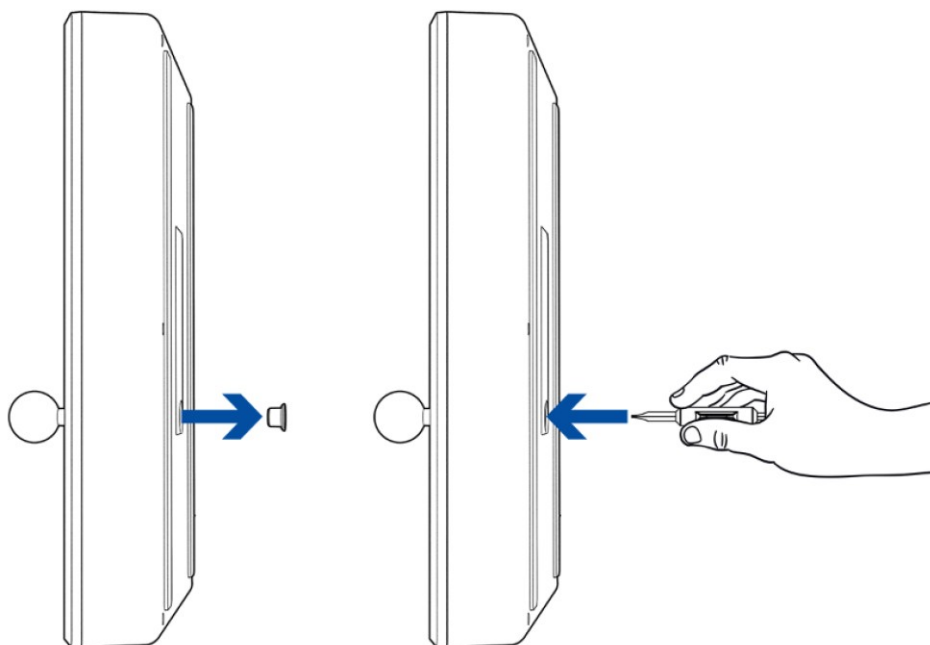
7. CUSTOMIZING YOUR RAZER PANTHERA EVO

REMOVING THE BALL TOP GRIP AND CHANGING THE ARTWORK

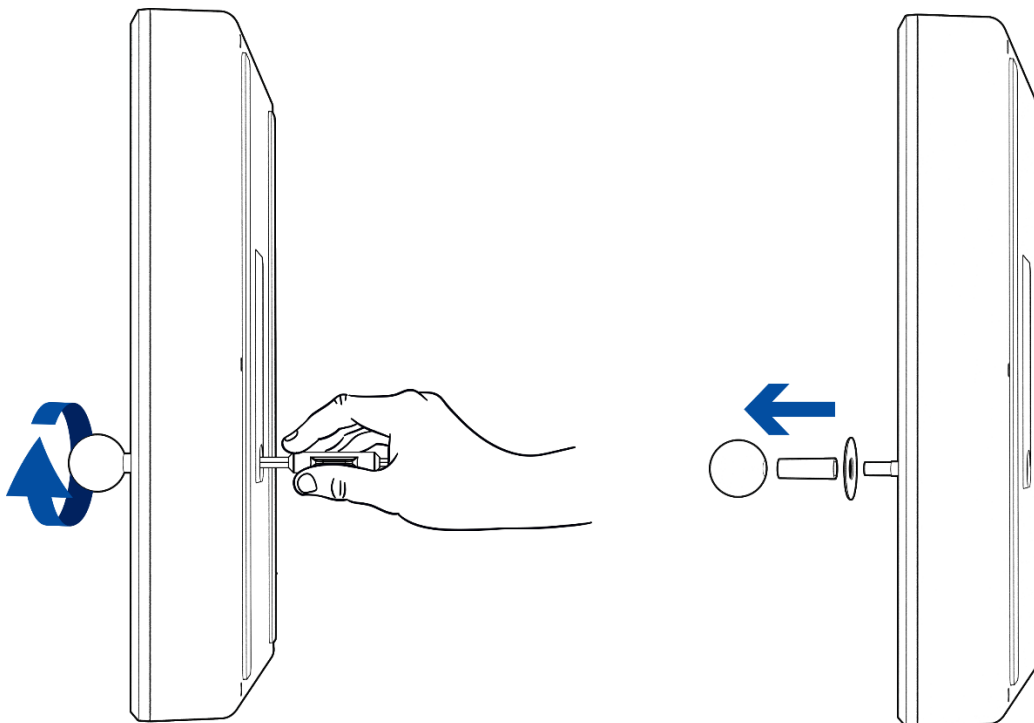
1. Remove the screws at the bottom of the Razer Panthera Evo using a Philips screwdriver (not included).



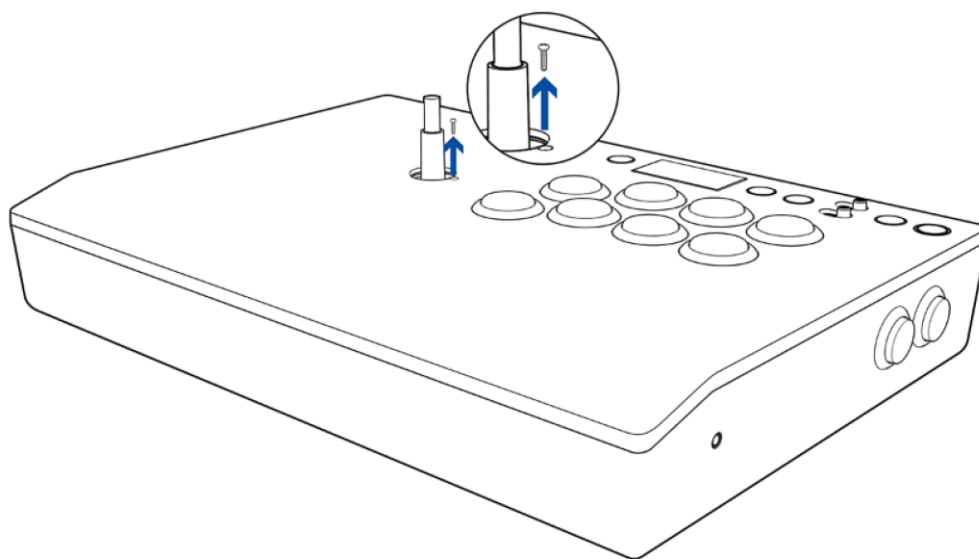
2. Tilt the arcade stick sideways, take a flat tip screwdriver (not included), and hold its flat tip firmly into the screwhead found inside the access hole.



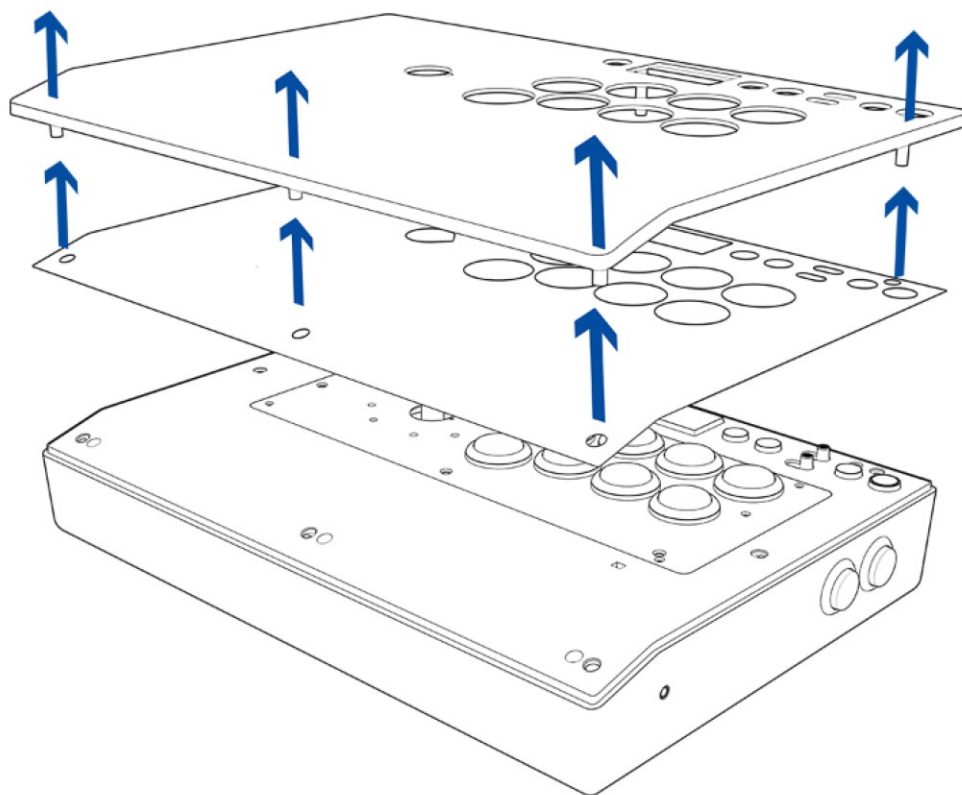
3. While holding the flat tip screwdriver, rotate the ball top grip counterclockwise until it's fully removed from the joystick shaft; and then remove the shaft cover and joystick dust cover.



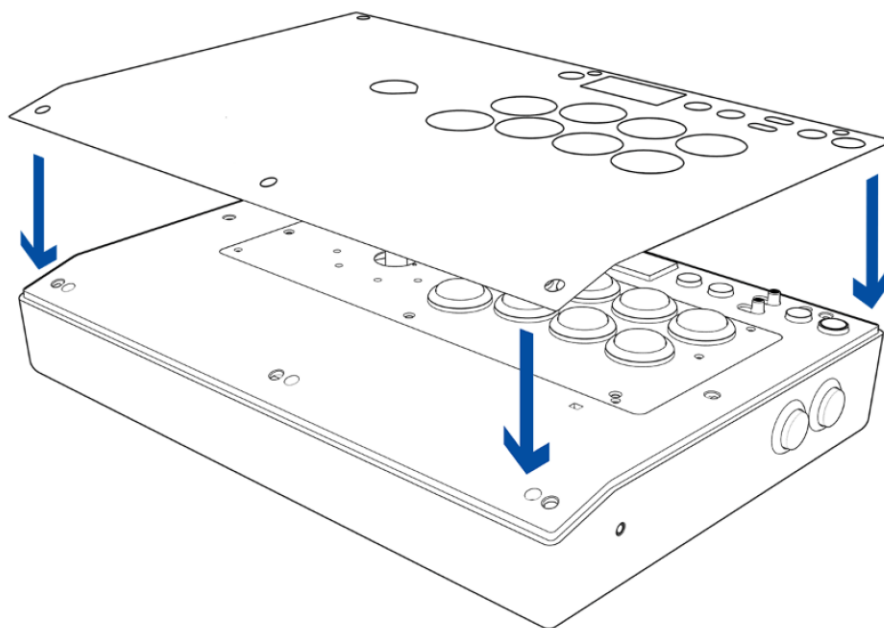
4. Place the arcade stick on a flat surface and then remove the plate cover's screw.



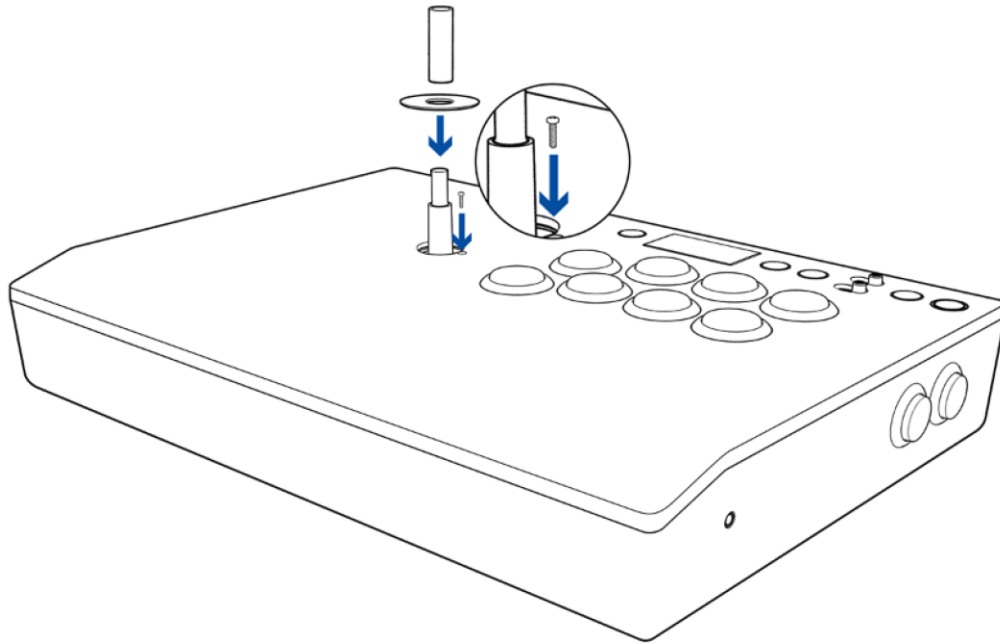
5. Remove the plate cover and the artwork.



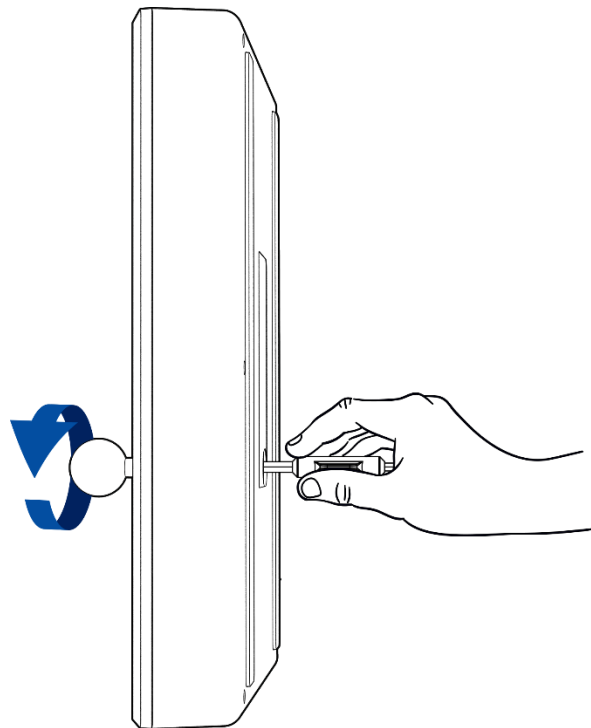
6. Align and place your custom artwork design* on top of your Razer Panthera Evo.



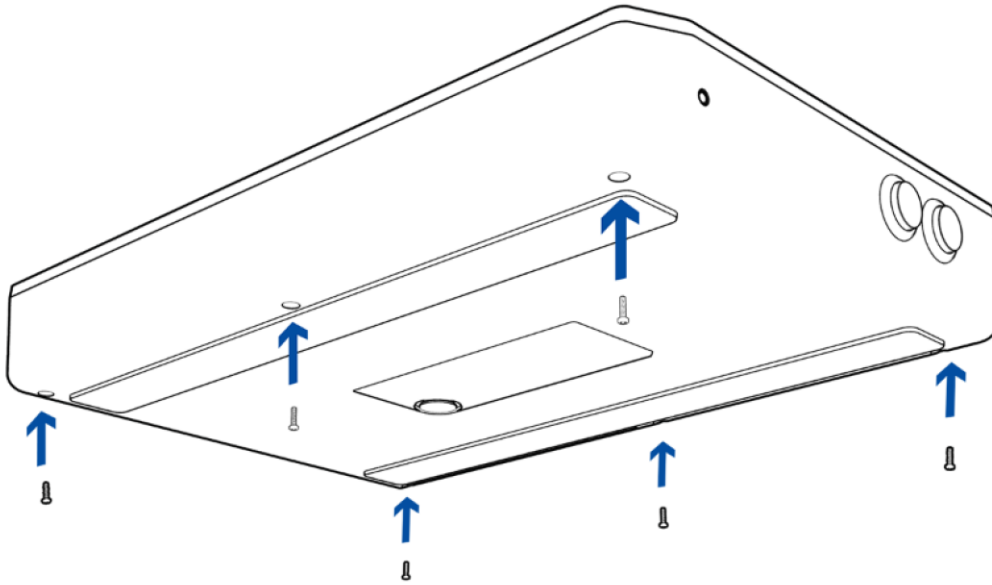
7. Place the plate cover onto the arcade stick, fasten its screw to hold it in place, and then return the shaft cover and joystick dust cover.



8. While holding the flat tip firmly into the screwhead inside the access hole with a flat tip screwdriver, rotate the ball top grip clockwise to fasten it in place.



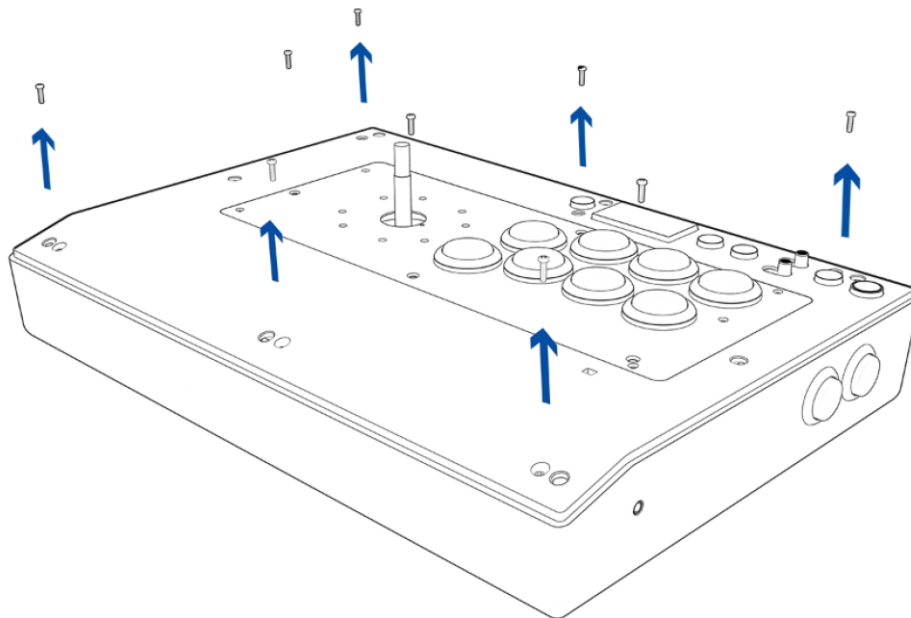
9. Reattach the bottom screws of your Razer Panthera Evo.



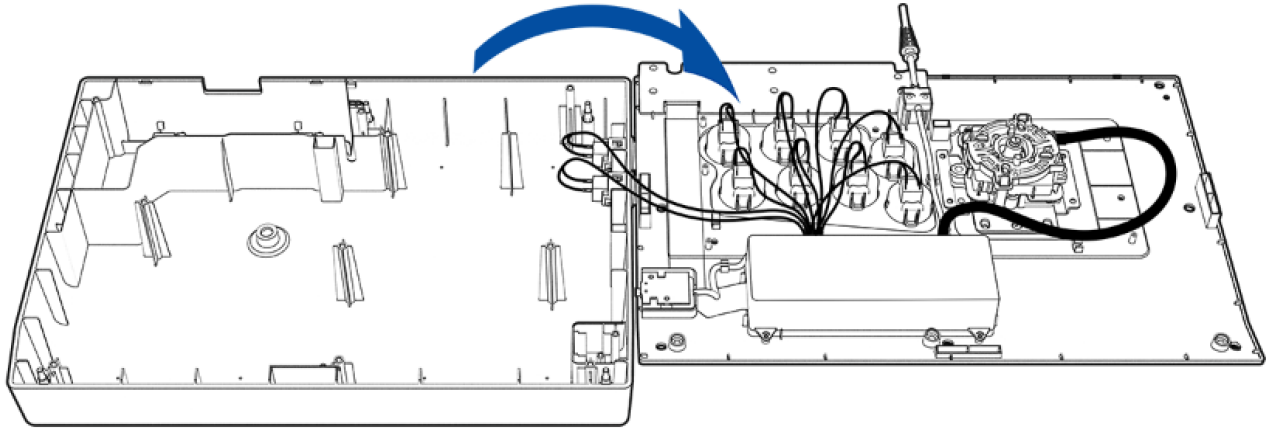
CUSTOMIZING THE ACTION BUTTONS

i Before proceeding, make sure that you have fully removed the bottom screws, plate cover, and the artwork from the arcade stick.

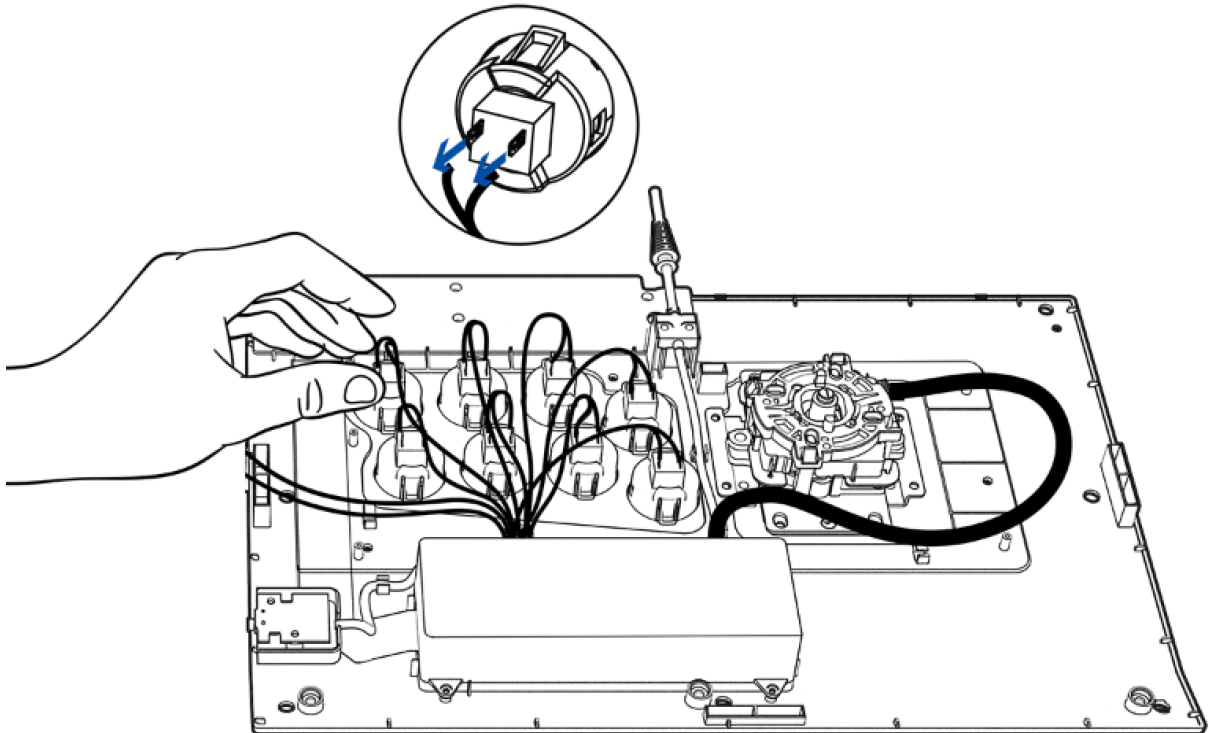
1. Place the Razer Panthera Evo on a flat surface.
2. Remove the screws of the compartment cover using a Philips screwdriver (not included).



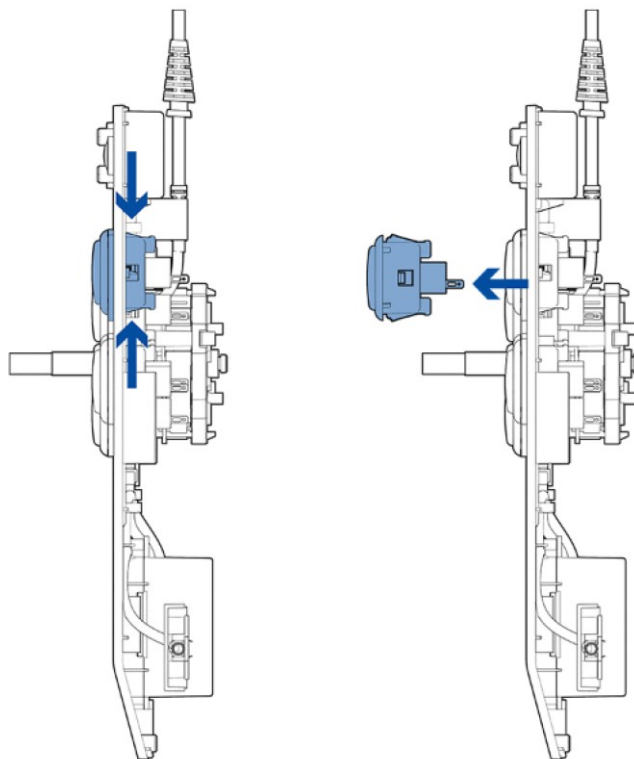
3. Lift the compartment cover rightwards and use your other hand to lightly support it. The action buttons and cables are now accessible.



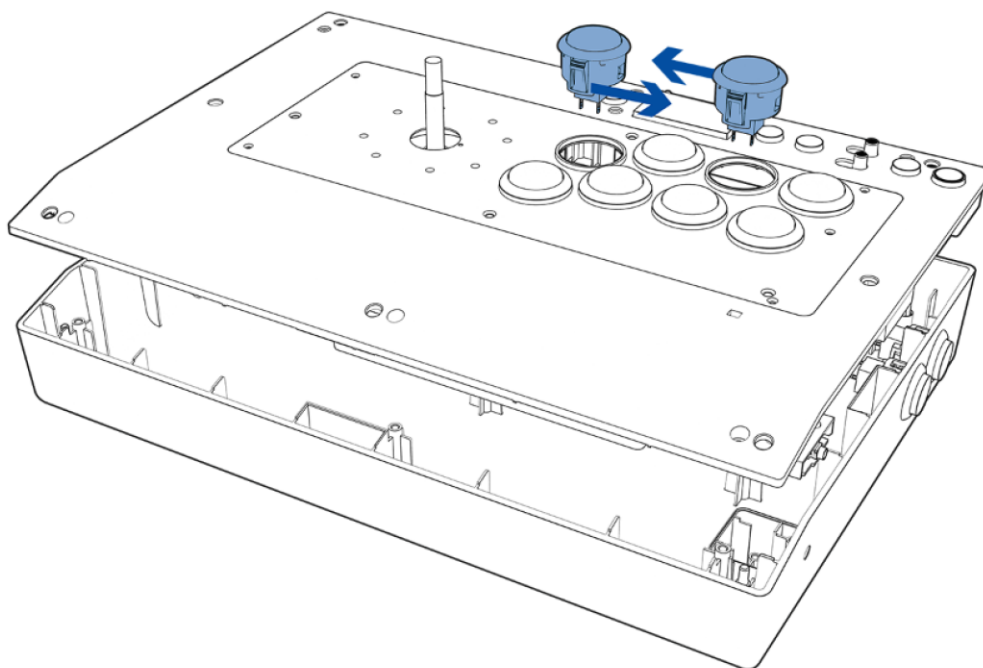
4. Carefully pinch each of the small tabs on the Quick Disconnect (QD) cables to easily remove them from the action button.



5. While holding the action button's fastener, gently push the action button out. You can use a screwdriver to push the fasteners in more easily, if needed.

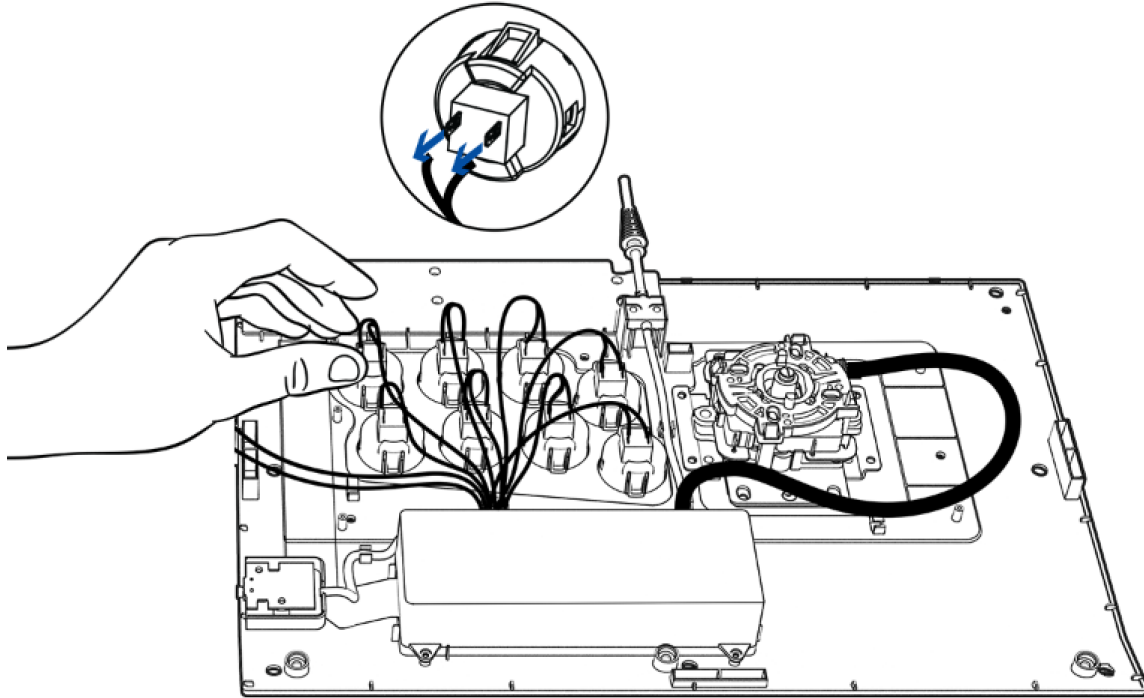


6. Repeat steps 4 and 5 for all the action buttons you want to change.
7. Insert your desired action button(s) or button cover(s)* into the available slots.

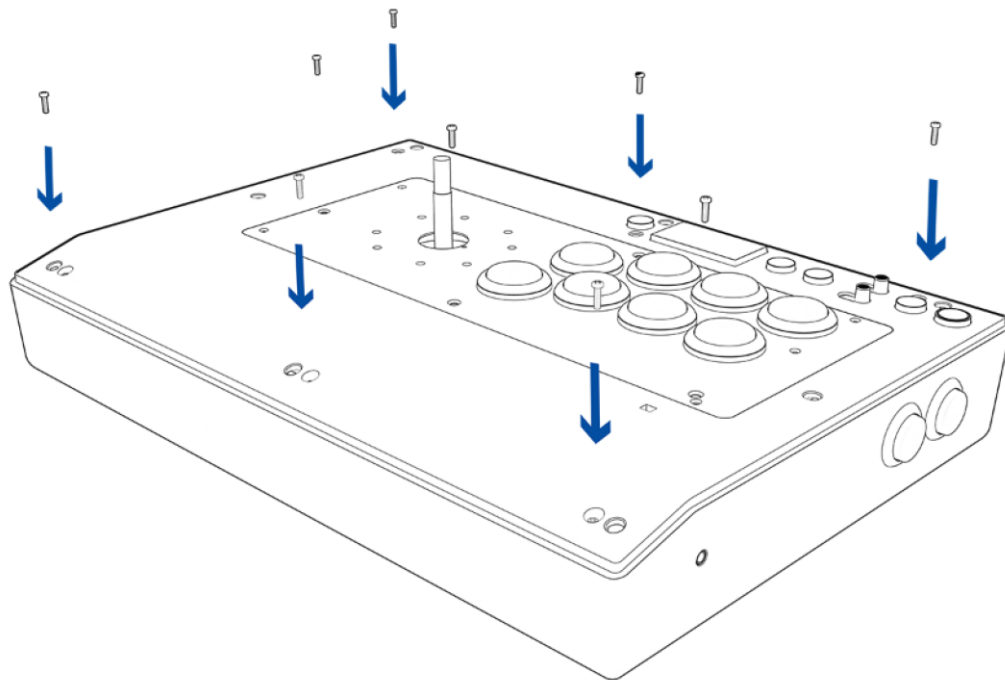


8. Reattach the cables to the action buttons and ensure that all cables are properly connected.

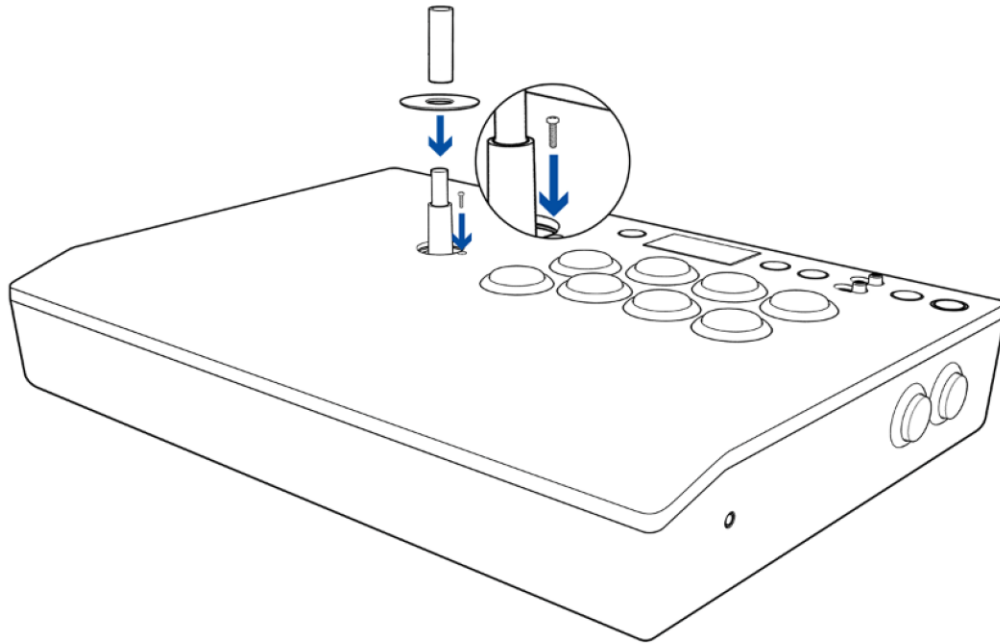
i *When reattaching the cables, observe the correct color of each cable pair as indicated on your Razer Panthera Evo's label sticker. You may opt to swap an action button's wirings with other action buttons if preferred.*



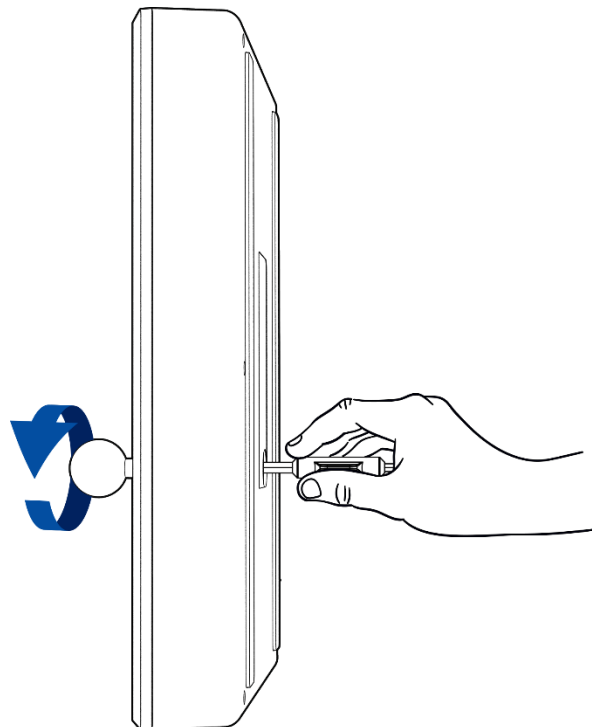
9. Align and place the compartment cover and reattach its screws.



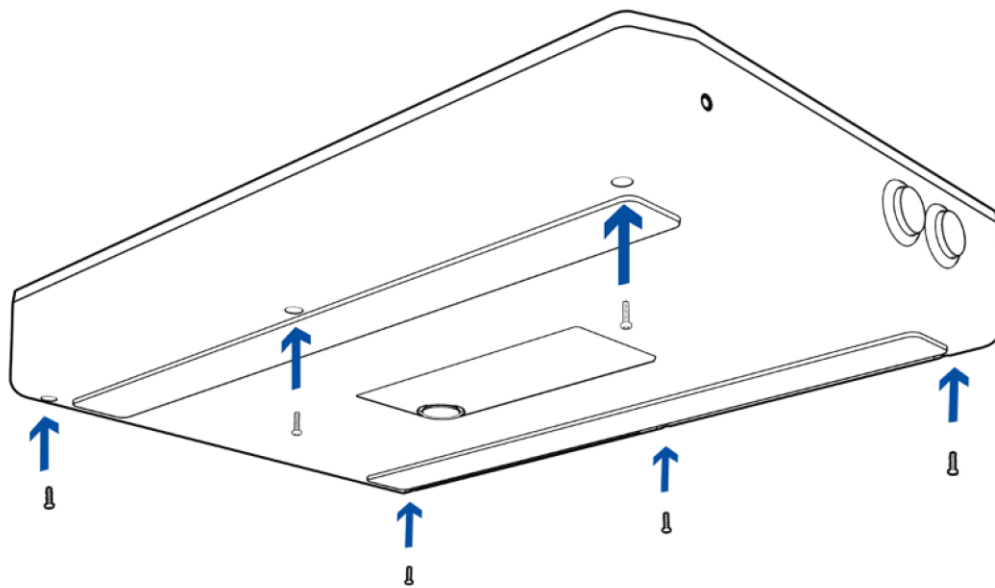
10. Place the artwork and the plate cover onto the arcade stick, fasten its screw to hold it in place, and then return the shaft cover and joystick dust cover.



11. While holding the flat tip firmly into the screwhead inside the access hole with a flat tip screwdriver, rotate the ball top grip clockwise to fasten it in place.



12. Reattach the bottom screws of your Razer Panthera Evo.



8. SAFETY AND MAINTENANCE

SAFETY GUIDELINES

In order to achieve maximum safety while using your Razer Panthera Evo, we suggest that you adopt the following guidelines:

Should you have trouble operating the device properly and troubleshooting does not work, unplug the device and contact the Razer hotline or go to support.razer.com for assistance.

Keep the device away from liquid, humidity or moisture. Operate the device only within the specific temperature range of 0°C (32°F) to 40°C (104°F). Should the temperature exceed this range, unplug and/or switch off the device in order to let the temperature stabilize to an optimal level.

COMFORT

Research has shown that long periods of repetitive motion, improper positioning of your computer peripherals, incorrect body position, and poor habits may be associated with physical discomfort and injury to nerves, tendons, and muscles. Below are some guidelines to avoid injury and ensure optimum comfort while using your Razer Panthera Evo.

1. Position the Razer Panthera Evo directly in front of you and within easy reach.
2. Adjust the height of your chair and/or table so that the Razer Panthera Evo is at or below elbow height.
3. Keep your feet well supported, posture straight and your shoulders relaxed.
4. During gameplay, relax your wrist and keep it straight. If you do the same tasks with your hands repeatedly, try not to bend, extend or twist your hands for long periods.
5. Do not rest your wrists on hard surfaces for long periods. Use a wrist rest to support your wrist while gaming.
6. Do not sit in the same position all day. Get up, step away from your desk and do exercises to stretch your arms, shoulders, neck and legs.

If you should experience any physical discomfort while using your Razer Panthera Evo, such as pain, numbness, or tingling in your hands, wrists, elbows, shoulders, neck or back, please consult a qualified medical doctor immediately.

MAINTENANCE AND USE

The Razer Panthera Evo requires minimum maintenance to keep it in optimum condition. Once a month we recommend you unplug the device from the USB port and clean it using a soft cloth or cotton swab to prevent dirt buildup. Do not use soap or harsh cleaning agents.

9. LEGALESE

COPYRIGHT AND INTELLECTUAL PROPERTY INFORMATION

©2025 Razer Inc. All rights reserved. Razer, the triple-headed snake logo, Razer logo, “For Gamers. By Gamers.”, and “Powered by Razer Chroma” logo are trademarks or registered trademarks of Razer Inc. and/or affiliated companies in the United States or other countries.

“”, “PlayStation”, and “” are trademarks or registered trademarks of Sony Interactive Entertainment LLC.

SANWA is a trademark of Sanwa Denshi Co., Ltd.

Windows and the Windows logo are trademarks of the Microsoft group of companies. All other trademarks are the property of their respective owners.

Razer Inc. (“Razer”) may have copyright, trademarks, trade secrets, patents, patent applications, or other intellectual property rights (whether registered or unregistered) concerning the product in this guide. Furnishing of this guide does not give you a license to any such copyright, trademark, patent or other intellectual property right. The Razer Panthera Evo (the “Product”) may differ from pictures whether on packaging or otherwise. Razer assumes no responsibility for such differences or for any errors that may appear. Information contained herein is subject to change without notice.

LIMITED PRODUCT WARRANTY

For the latest and current terms of the Limited Product Warranty, please visit [razer.com/warranty](https://www.razer.com/warranty).

LIMITATION OF LIABILITY

Razer shall in no event be liable for any lost profits, loss of information or data, special, incidental, indirect, punitive or consequential or incidental damages, arising in any way out of distribution of, sale of, resale of, use of, or inability to use the Product. In no event shall Razer’s liability exceed the retail purchase price of the Product.

GENERAL

These terms shall be governed by and construed under the laws of the jurisdiction in which the Product was purchased. If any term herein is held to be invalid or unenforceable, then such term (in

so far as it is invalid or unenforceable) shall be given no effect and deemed to be excluded without invalidating any of the remaining terms. Razer reserves the right to amend any term at any time without notice.