



RAZER | POKÉMON - PIKACHU EDITION  
HYPER SPEED TRUE WIRELESS EARBUDS

MASTER GUIDE

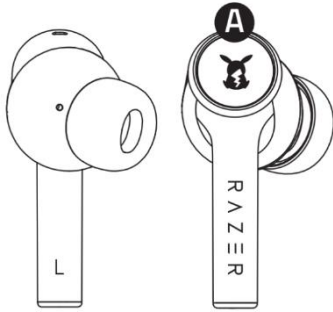
# CONTENTS

1. WHAT'S INSIDE.....	2
2. WHAT'S NEEDED.....	4
3. LET'S GET YOU COVERED.....	4
4. SETTING UP YOUR EARBUDS.....	5
5. USING YOUR EARBUDS.....	9
6. SAFETY AND MAINTENANCE.....	13
7. LEGALESE.....	14

---

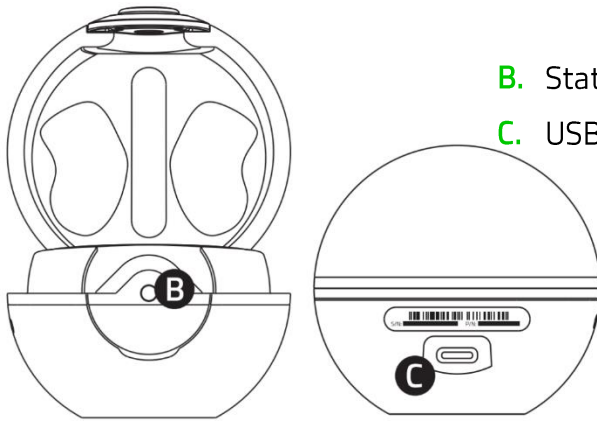
## 1. WHAT'S INSIDE

- Razer | Pokémon - Pikachu Edition Hyperspeed True Wireless Earbuds



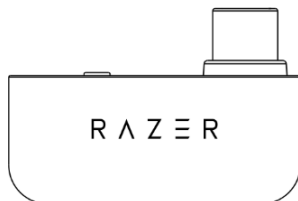
- A.** Backlit function button Powered by Razer Chroma™ RGB

- Portable Type C Poké Ball™ Charging case

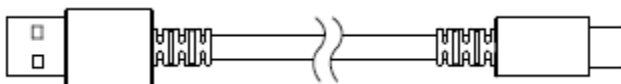


- B.** Status indicator
- C.** USB Type C charging port

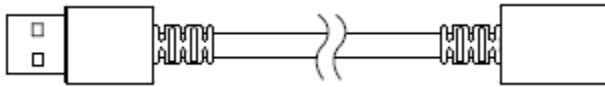
- USB Type C wireless dongle



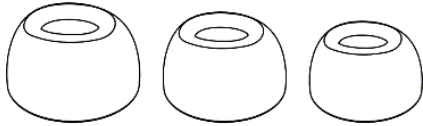
- USB Type A to USB Type C charging cable



- USB Type A to USB Type C adapter cable

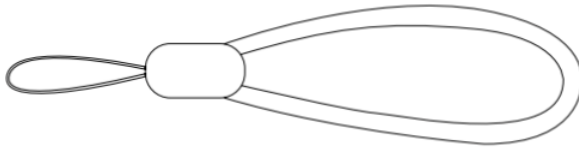


- Silicon ear-tips in 3 sizes (S, M\*, L)



*\*Pre-installed with the earbuds*

- Wrist strap



- Important Product Information Guide

---

## 2. WHAT'S NEEDED

### SYSTEMS

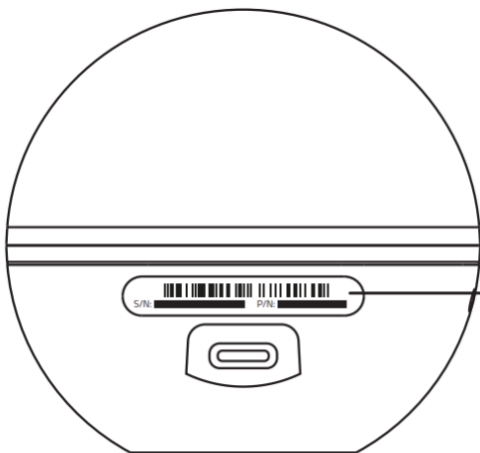
- PC (Windows®10 64-bit or higher)
- PS5™, PS4™
- Nintendo Switch™
- Steam Deck™
- Mobile devices with Bluetooth audio capability

### CONNECTIONS

- USB Type C or USB Type A port
- Bluetooth 5.2 compatible

---

## 3. LET'S GET YOU COVERED



*Your product's serial number  
can be found here.*

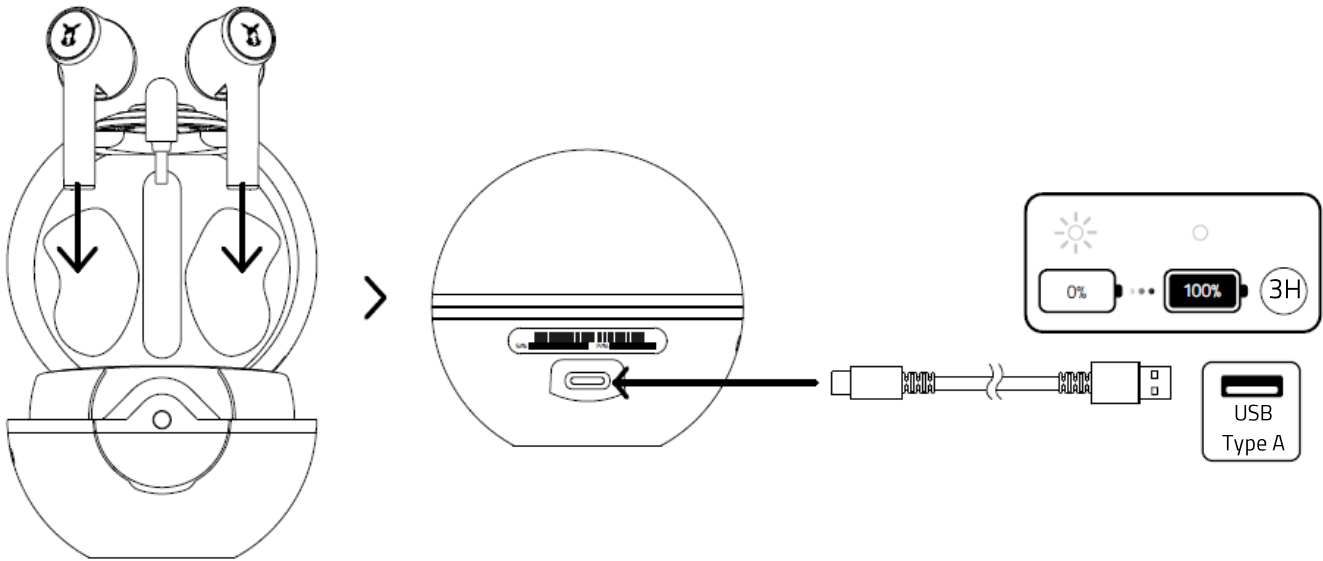


Register your product and score exclusive benefits  
[razerid.razer.com/warranty](https://razerid.razer.com/warranty)

---

## 4. SETTING UP YOUR EARBUDS

### CHARGING YOUR EARBUDS

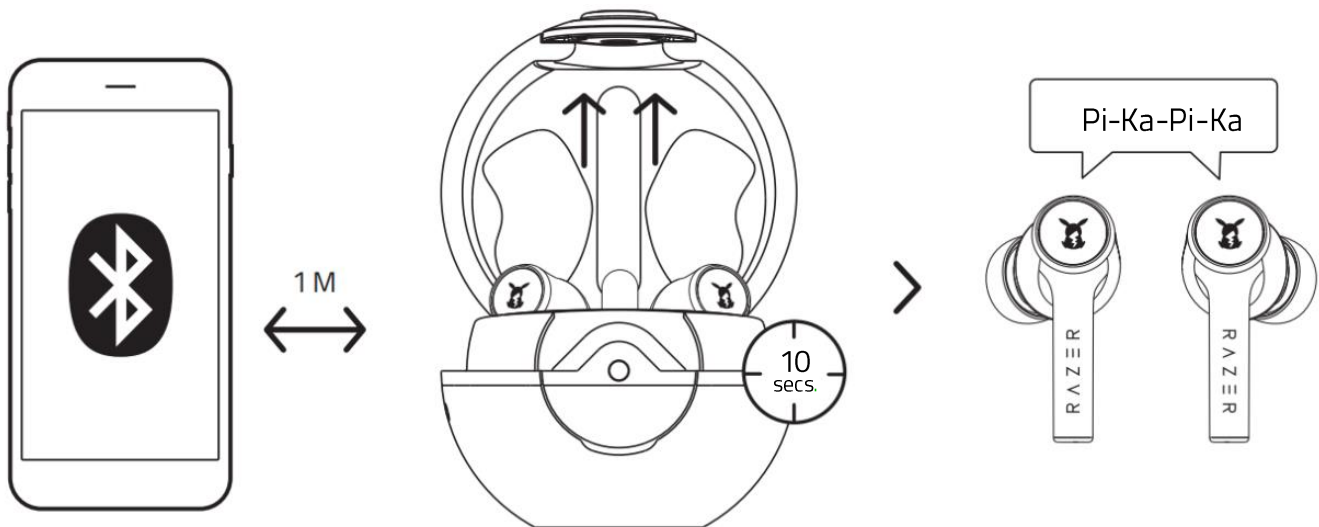


**i** Charging the earbuds using any port on the PS5™ console only works when the console is not in Rest Mode.

### CONNECTING TO YOUR EARBUDS

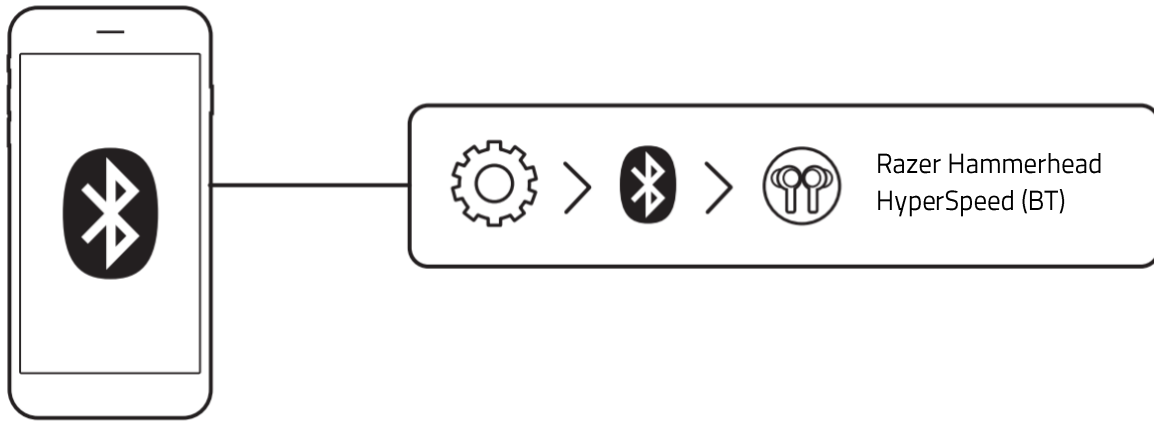
#### A. Via Bluetooth

1.

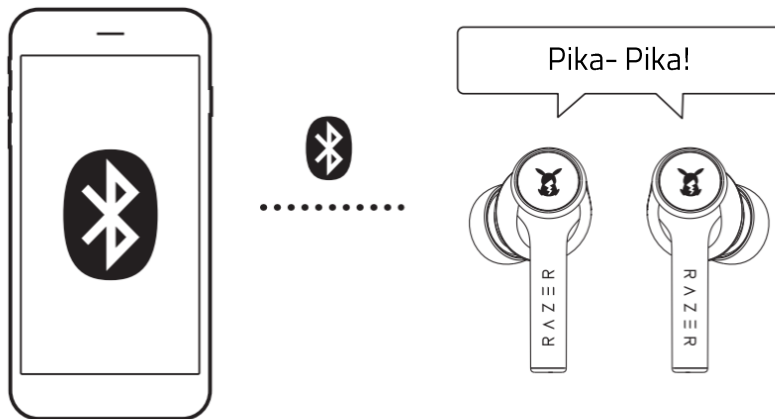


**i** When trying to connect your Razer product, remember to keep it within 1 meter of your mobile device. By default, the earbuds will first search for the USB Type C wireless dongle before activating pairing mode.

2.



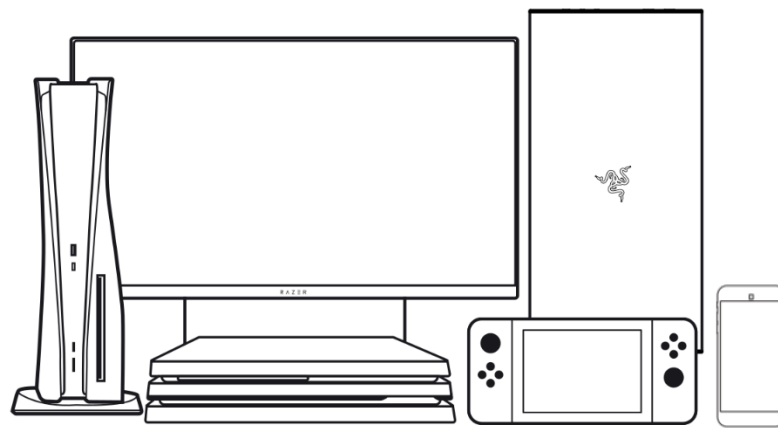
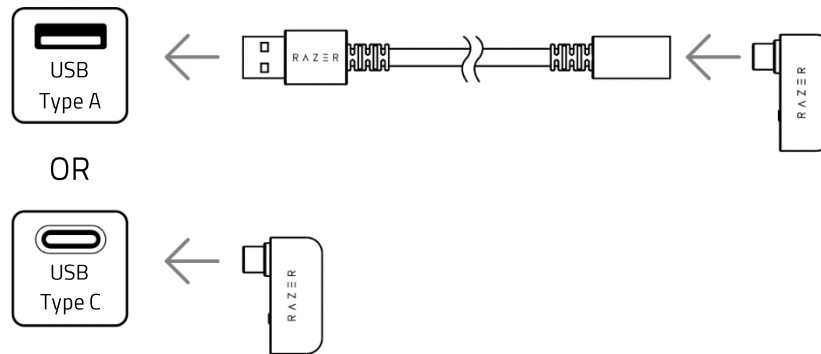
3.



**i** *If the earbuds fail to connect to your device, the earbuds will stay in search mode and power off after 3 minutes. If this happens, place the earbuds back inside the charging case and repeat the steps above.*

## B. Via USB Type C wireless dongle (2.4 GHz)

1.



**i** When plugging the USB Type C wireless dongle into your PS5™ console, make sure it doesn't obstruct the console's USB Type-A port.

2.

### On PC

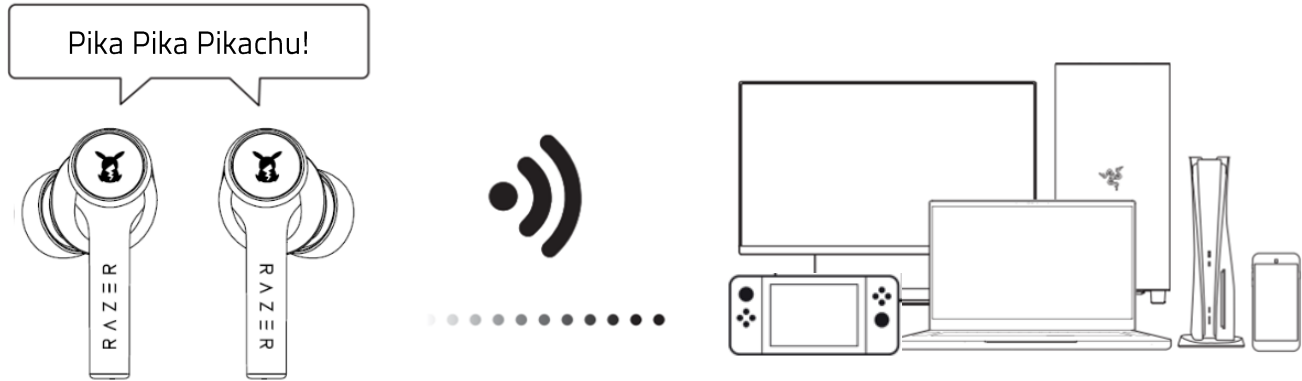
<b>Sound settings</b>	Output > Razer Hammerhead HyperSpeed 2.4
	Input > Razer Hammerhead HyperSpeed 2.4

### On PS5™ consoles

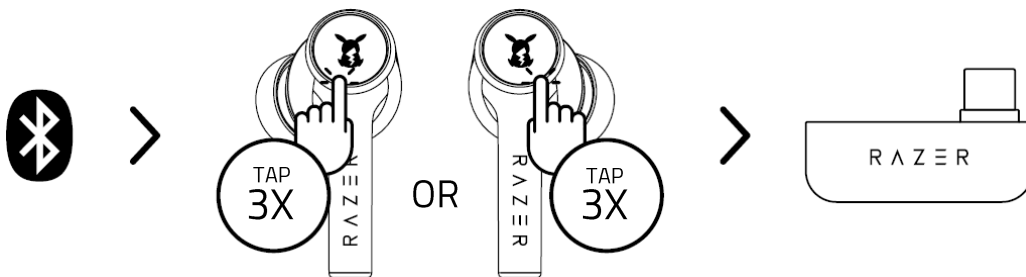
<b>PS5 Settings &gt; Sound</b>	Audio Output > Output device > Razer Hammerhead HyperSpeed 2.4
	Microphone > Input device > Razer Hammerhead HyperSpeed 2.4

**i** When using the earbuds with compatible devices, set the Razer Hammerhead HyperSpeed 2.4 as the default input and output device (if applicable).

3.



**i** If your earbuds use Bluetooth as the audio source, tap the function button thrice on any earbud to set the USB Type C wireless dongle as the audio source.



## PERSONALIZE YOUR EXPERIENCE

### Razer Audio app (Mobile)

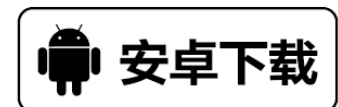
Remap touch gestures, enable Active Noise Cancellation (ANC), customize EQ settings, and even experience full RGB lighting customization from your mobile device.



Razer Audio



OR

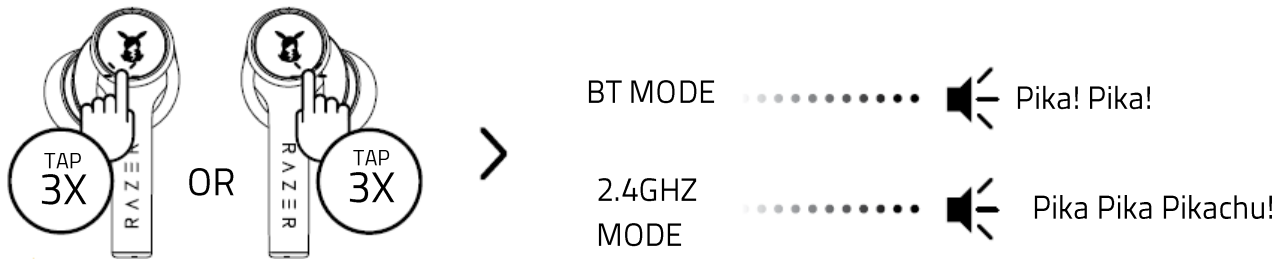


RZR.TO/AUDAPP  
(For China Only)

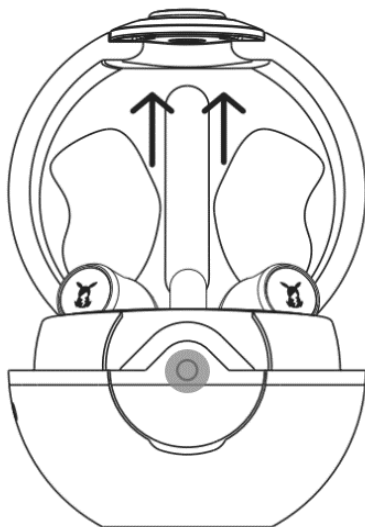
**i** Only available on iOS 14 / Android 10 (or higher) devices with Bluetooth connectivity.

## 5. USING YOUR EARBUDS

### SWITCHING BETWEEN AUDIO SOURCES

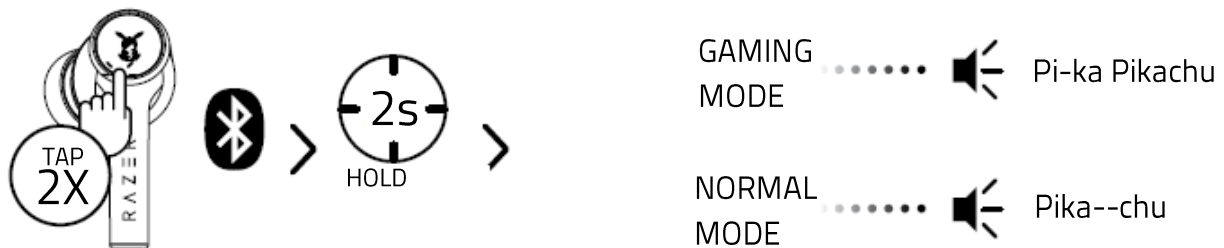


### BATTERY LEVEL



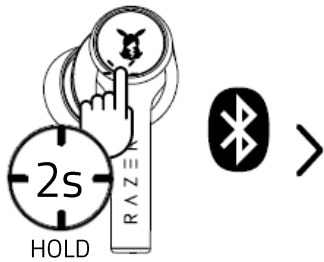
STATUS	LED INDICATOR
High	Green
Mid	Yellow
Low	Red

### GAMING MODE



**i** For best performance, keeping your earbuds within a very close distance of the audio source is recommended.

## ACTIVE NOISE CANCELLATION (ANC) / QUICK ATTENTION MODE

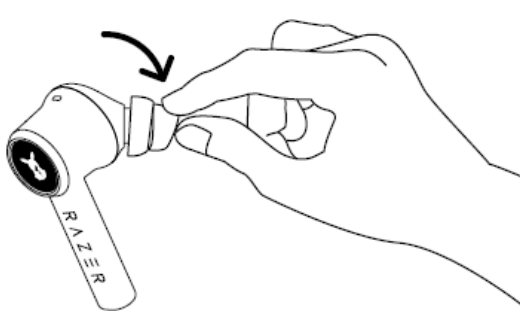


NOISE CANCELLATION (ANC) ..... Pikachu Pikachu--

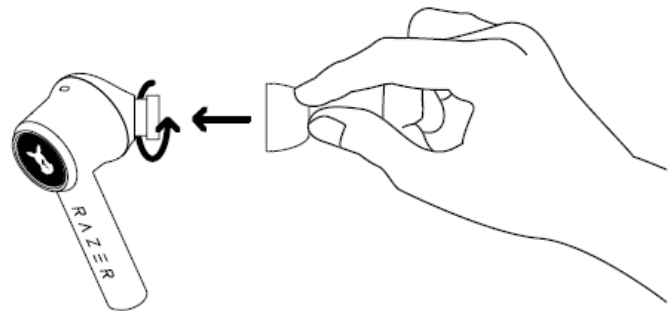
QUICK ATTENTION MODE ..... Pika Pika--

**i** An audio prompt will notify you when ANC and Quick Attention Mode have been enabled. Complete customization of these functions can be made using the Razer Audio app.

## USING THE SILICONE EAR-TIPS



**Removal**



**Replacement**

**i** Due to individuals' different ear canal sizes, it's recommended to interchange the ear-tips to a larger or smaller size to improve comfort and sound quality and achieve a proper seal.

## FUNCTION BUTTON QUICK REFERENCE

The following default gestures are available on the earbuds. You can remap these gestures using the Razer Audio App.

Action	Effect
Tap	Play/pause
	Accept incoming call or end current call
Tap and hold for 2 seconds	Reject incoming call or end current call
	Power on the corresponding earbud
	Cycle between Enable ANC and Enable Quick Attention Mode*

Tap and hold for 4 seconds	Activate Bluetooth pairing mode*
Double tap	Accept incoming call or switch calls
	Skip to the next track when playing media
	Mute or unmute the microphone (Xbox mode only)
Double tap, then hold the last tap for 2 seconds	Decrease volume (on the left earbud)
	Increase volume (on the right earbud)
Triple tap	Switch between Bluetooth and USB Type C dongle audio source
Triple tap, then hold the last tap for 2 seconds	Enable/disable Gaming Mode*

*\*Only available in Bluetooth mode.*

## -tone Reference

ACTION	AUDIO PROMPT
Earbud Power On	Pi-ka Pika
Earbud Power Off	Pikachu--
Earbud go into the pairing mode	Pi-Ka-Pi-Ka
Earbud connect to the phone	Pika- Pika!
Earbud disconnect to the phone	Pi-ka— Pika Pika
Earbud in low battery mode	Pi-ka-Pi-ka-
User switch to gaming mode	Pi-ka Pikachu
User switch to normal mode	Pika--chu
Incoming call	Pi-- Pika Pika
Answer call	Pi-ka-
Reject call	PikaPika

Factory Reset	Pika--Pikachu
ANC On	Pikachu Pikachu--
ANC Off	PikaPika!
Quick Attention Mode	Pika Pika--
Switch to Bluetooth	Pika! Pika!
Switch to 2.4 GHz	Pika Pika Pikachu!

---

## 6. SAFETY AND MAINTENANCE

### SAFETY GUIDELINES

To achieve maximum safety while using your Razer | Pokémon - Pikachu Edition Hyperspeed True Wireless Earbuds, we suggest that you adopt the following guidelines:

Should you have trouble operating the device properly and troubleshooting does not work, unplug the device and contact the Razer hotline or go to [support.razer.com](https://support.razer.com) for assistance.

Do not take apart the device, and do not attempt to operate it under abnormal current loads. Doing so will void your warranty.

Operate the device only within the specific temperature range of 0°C (32°F) to 40°C (104°F). Should the temperature exceed this range, unplug and/or switch off the device to let the temperature stabilize to an optimal level.

Your earbuds isolate external ambient sounds even at low volumes, resulting in lowered awareness of your external surroundings. Please remove the earbuds when engaging in activities that require active awareness of your surroundings.

Listening to excessively loud volumes over extended periods can damage your hearing. Furthermore, legislation of certain countries permits a maximum sound level of 86dB to affect your hearing for 8 hours a day. We, therefore, recommend that you reduce the volume to a comfortable level when listening for prolonged periods. Please, take good care of your hearing.

### MAINTENANCE AND USE

The Razer | Pokémon - Pikachu Edition Hyperspeed True Wireless Earbuds requires minimum maintenance to keep it in optimum condition. Once a month, we recommend you clean it using a soft cloth or cotton swab to prevent dirt buildup. Do not use soap or harsh cleaning agents.

---

## 7. LEGALESE

### **COPYRIGHT AND INTELLECTUAL PROPERTY INFORMATION**

©2024 Razer Inc. All rights reserved. Razer, the triple-headed snake logo, Razer logo, and “For Gamers. By Gamers.” are trademarks or registered trademarks of Razer Inc. and/or affiliated companies in the United States or other countries. All other trademarks are the property of their respective owners.

Razer Inc. (“Razer”) may have copyright, trademarks, trade secrets, patents, patent applications, or other intellectual property rights (whether registered or unregistered) concerning the product in this guide. Furnishing of this guide does not give you a license to any such copyright, trademark, patent or other intellectual property right. The Razer | Pokémon - Pikachu Edition Hyperspeed True Wireless Earbuds (the “Product”) may differ from pictures whether on packaging or otherwise. Razer assumes no responsibility for such differences or for any errors that may appear. Information contained herein is subject to change without notice.

### **LIMITED PRODUCT WARRANTY**

For the latest and current terms of the Limited Product Warranty, please visit [razer.com/warranty](https://razer.com/warranty).

### **LIMITATION OF LIABILITY**

Razer shall in no event be liable for any lost profits, loss of information or data, special, incidental, indirect, punitive or consequential or incidental damages, arising in any way out of distribution of, sale of, resale of, use of, or inability to use the Product. In no event shall Razer’s liability exceed the retail purchase price of the Product.

### **GENERAL**

These terms shall be governed by and construed under the laws of the jurisdiction in which the Product was purchased. If any term herein is held to be invalid or unenforceable, then such term (in so far as it is invalid or unenforceable) shall be given no effect and deemed to be excluded without invalidating any of the remaining terms. Razer reserves the right to amend any term at any time without notice.