



RAZER AETHER LIGHT STRIP EXTENDER

MASTER GUIDE

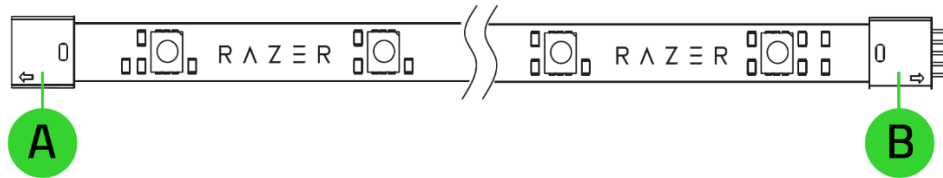
Make your gamer room truly shine with Razer Aether Lights. Powered by Razer Chroma™ RGB, customize and control them all from one convenient app to create the perfect setting for any scenario.

CONTENTS

1. WHAT'S INSIDE	3
2. WHAT'S NEEDED	3
3. LET'S GET YOU COVERED.....	3
4. TECHNICAL SPECIFICATIONS	4
5. GETTING STARTED.....	4
6. SAFETY AND MAINTENANCE	6
7. LEGALESE.....	7

1. WHAT'S INSIDE

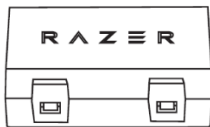
- Razer Aether Light Strip Extender



A. Extender port

B. Light strip connector

- Protector clip



- Important Product Information Guide

2. WHAT'S NEEDED

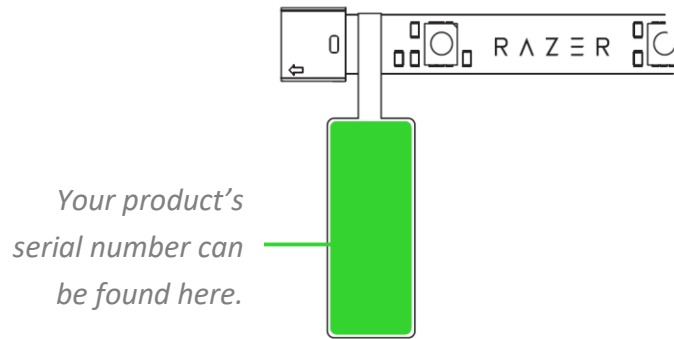
- Razer Aether Light Strip

3. LET'S GET YOU COVERED



Register your product and score exclusive benefits

razerid.razer.com/warranty

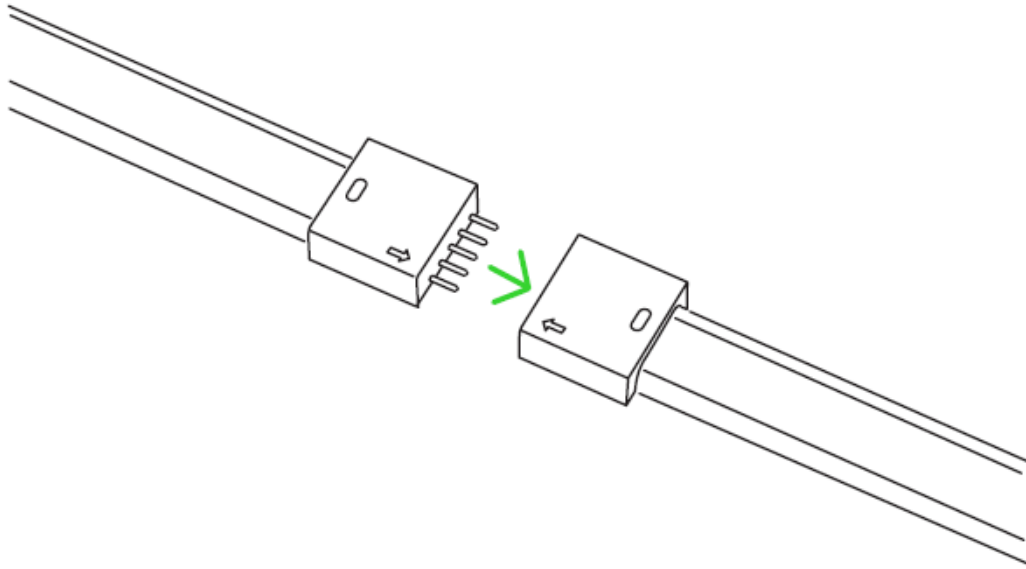


4. TECHNICAL SPECIFICATIONS

- Length: 1 m / 3 ft
- RGB Lighting: Razer Chroma RGB
- LED Lifetime: 25,000 hours
- LED Strip (1 m /3 ft)
 - Rated Power: 4W
 - Input Voltage: 13V
- Requires Razer Aether Light Strip base product.

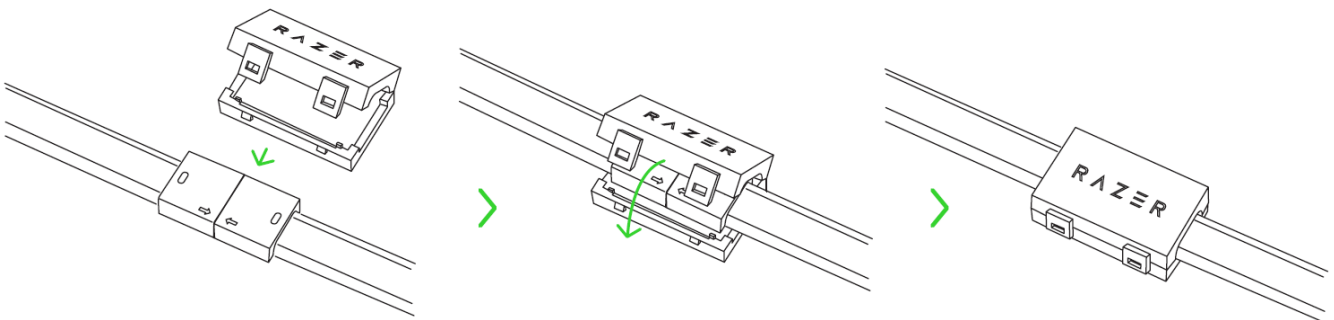
5. GETTING STARTED

1. Connect the light strip extender to the extender port of the Razer Aether Light Strip.

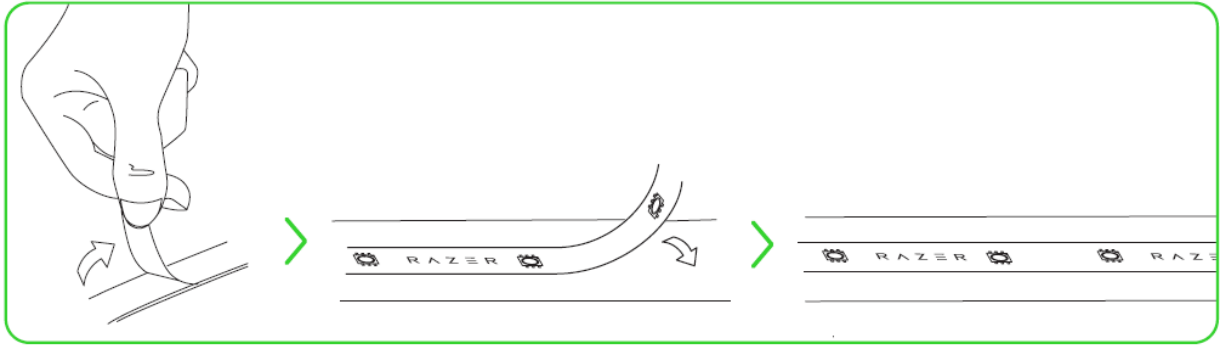


i Before plugging the light strip extender into the extender port, make sure that the Razer Aether Light Strip is powered off and that the pins on the light strip extender are properly aligned with the extender port. A maximum of 8 light strip extenders can be connected to the Razer Aether Light Strip.

2. Enclose the light strip connection with the protector clip to prevent it from being unplugged or exposed to undue pressure.



3. Use the adhesive layer on the light strip extender to fasten it on a clean, dry, and flat surface as needed in your setup.



4. Power on the Razer Aether Light Strip.



6. SAFETY AND MAINTENANCE

SAFETY GUIDELINES

To achieve maximum safety while using the Razer Aether Light Strip Extender, we suggest that you adopt the following guidelines:

- Should you have trouble using the accessory properly and troubleshooting does not work, unplug the accessory and contact the Razer hotline or go to support.razer.com for support. Don't attempt to service or fix the accessory yourself at any time.
- Don't take apart the accessory and attempt to operate it under abnormal current loads. Doing so may void your warranty.

- Always handle the accessory with care. When plugging or unplugging the accessory, always pull from its plug/connector. Furthermore, align the accessory's pins before plugging it into the extender port.

7. LEGALESE

COPYRIGHT AND INTELLECTUAL PROPERTY INFORMATION

©2024 Razer Inc. All rights reserved. Razer, the triple-headed snake logo, Razer logo, "For Gamers. By Gamers." and "Razer Chroma" are trademarks or registered trademarks of Razer Inc. and/or affiliated companies in the United States and other countries. Actual product may differ from pictures. All other

trademarks are the property of their respective owners. Warranty not valid outside of product's intended region.

Razer Inc. ("Razer") may have copyright, trademarks, trade secrets, patents, patent applications, or other intellectual property rights (whether registered or unregistered) concerning the product in this guide. Furnishing of this guide does not give you a license to any such copyright, trademark, patent or other intellectual property right. The Razer Aether Light Strip Extender (the "Product") may differ from pictures whether on packaging or otherwise. Razer assumes no responsibility for such differences or for any errors that may appear. Information contained herein is subject to change without notice.

LIMITED PRODUCT WARRANTY

For the latest and current terms of the Limited Product Warranty, please visit [razer.com/warranty](https://www.razer.com/warranty).

LIMITATION OF LIABILITY

Razer shall in no event be liable for any lost profits, loss of information or data, special, incidental, indirect, punitive or consequential or incidental damages, arising in any way out of distribution of, sale of, resale of, use of, or inability to use the Product. In no event shall Razer's liability exceed the retail purchase price of the Product.

GENERAL

These terms shall be governed by and construed under the laws of the jurisdiction in which the Product was purchased. If any term herein is held to be invalid or unenforceable, then such term (in so far as it is invalid or unenforceable) shall be given no effect and deemed to be excluded without invalidating any of the remaining terms. Razer reserves the right to amend any term at any time without notice.