



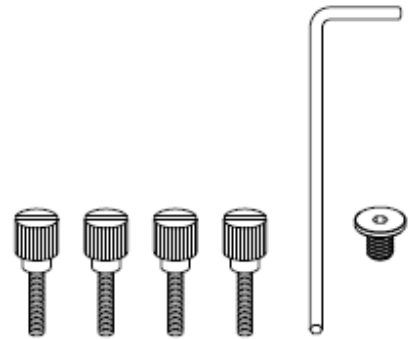
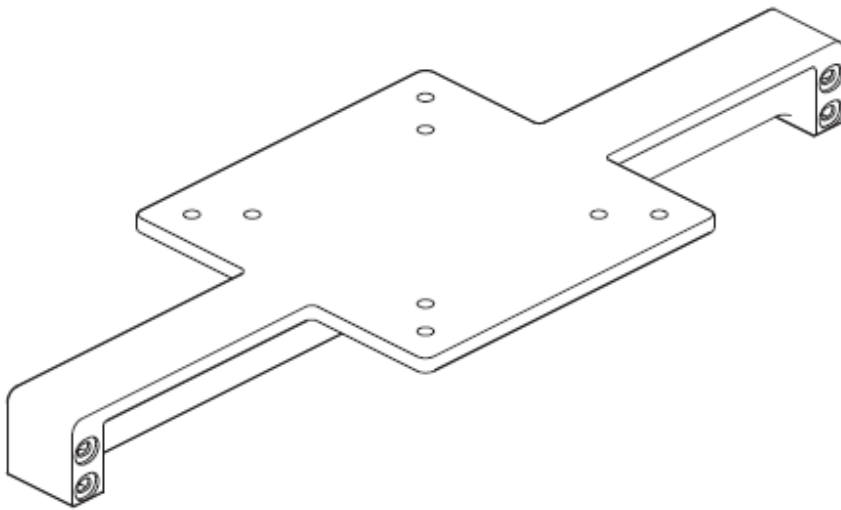
# RAZER VESA MOUNT ADAPTER

IMPORTANT PRODUCT INFORMATION GUIDE

---

## WHAT'S INSIDE

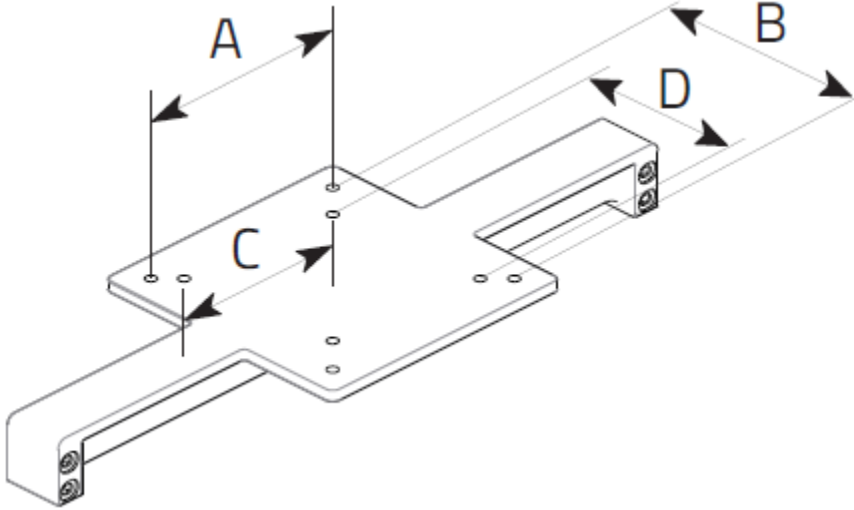
- Razer VESA Mount Adapter
- Thumb Screws x4 (M4, L=16mm)
- L-shaped Hex-key (2.5 mm)
- Spare Hex screw x1 (M4, 7.5mm)
- Important Product Information Guide



---

## TECHNICAL SPECIFICATIONS

### VESA SCREW HOLE SPECIFICATIONS



- (A \* B) 100x100mm
- (C \* D) 75x75mm

### APPROX. SIZE AND WEIGHT

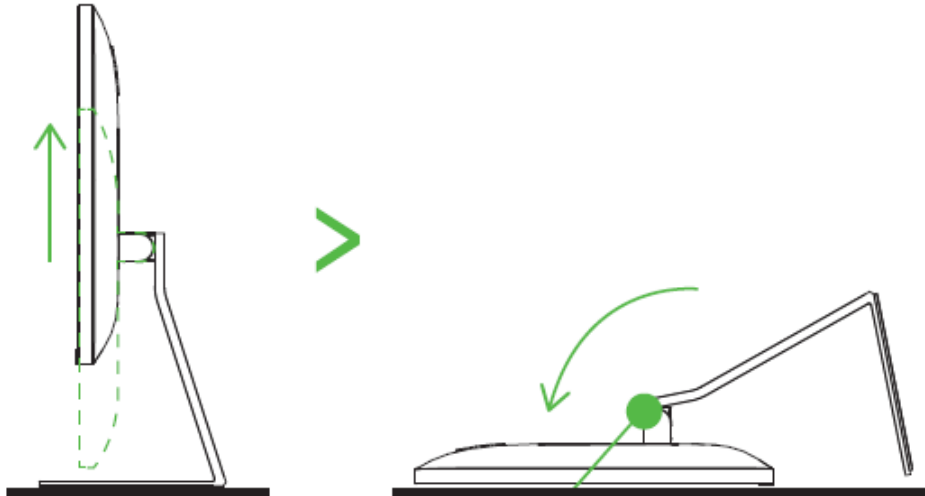
- Width: 330mm / 13in
- Length: 125mm / 4.9in
- Height: 30mm / 1.18in
- Weight: 382grams / 0.84lbs
- Material: ADC Aluminum

---

## GETTING STARTED

### SETTING UP YOUR RAZER VESA MOUNT ADAPTER

1. Unplug all cables connected to your monitor.
2. Adjust the screen to its maximum height, then place your monitor face down on a clean, flat, stable surface.

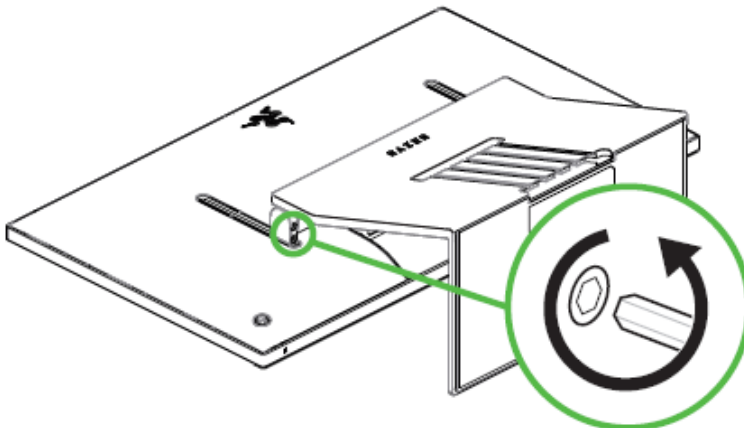


*Do not put your hand near the hinge cover or railings to avoid injury.*

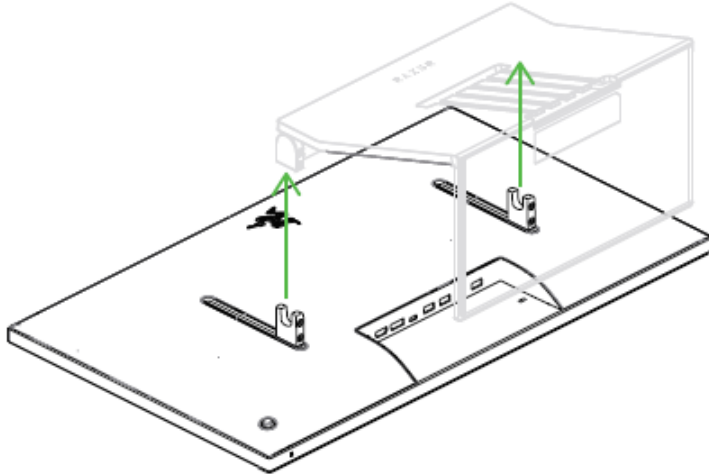


*The monitor has an auto raise mechanism that prevents the screen from tilting at extreme angles. Do not force the screen to tilt 90-degrees when it is at the lowest point, doing so may cause serious damage to the external parts of the monitor, and void its warranty.*

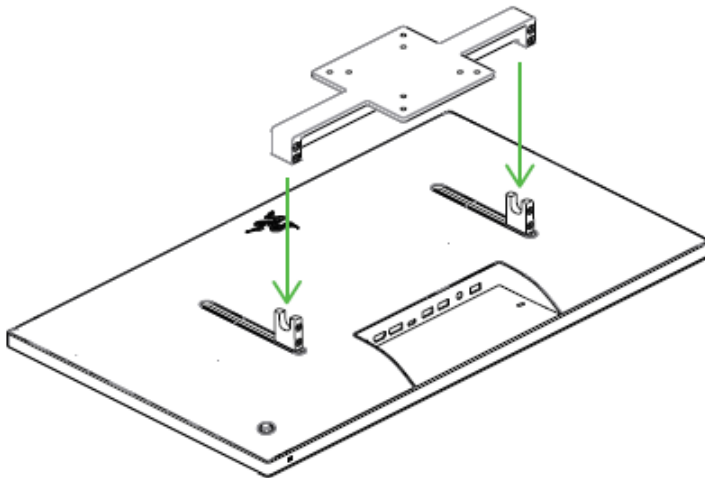
3. Remove the 2 hex screws from each side of the stand using the provided hex key.



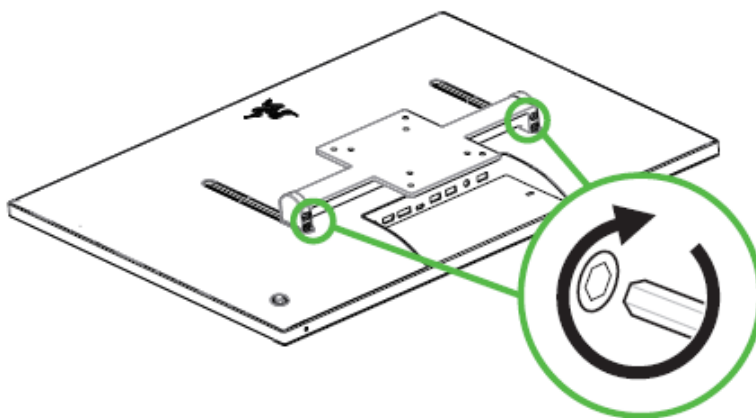
4. Lift the stand to remove.



5. Attach the VESA adaptor

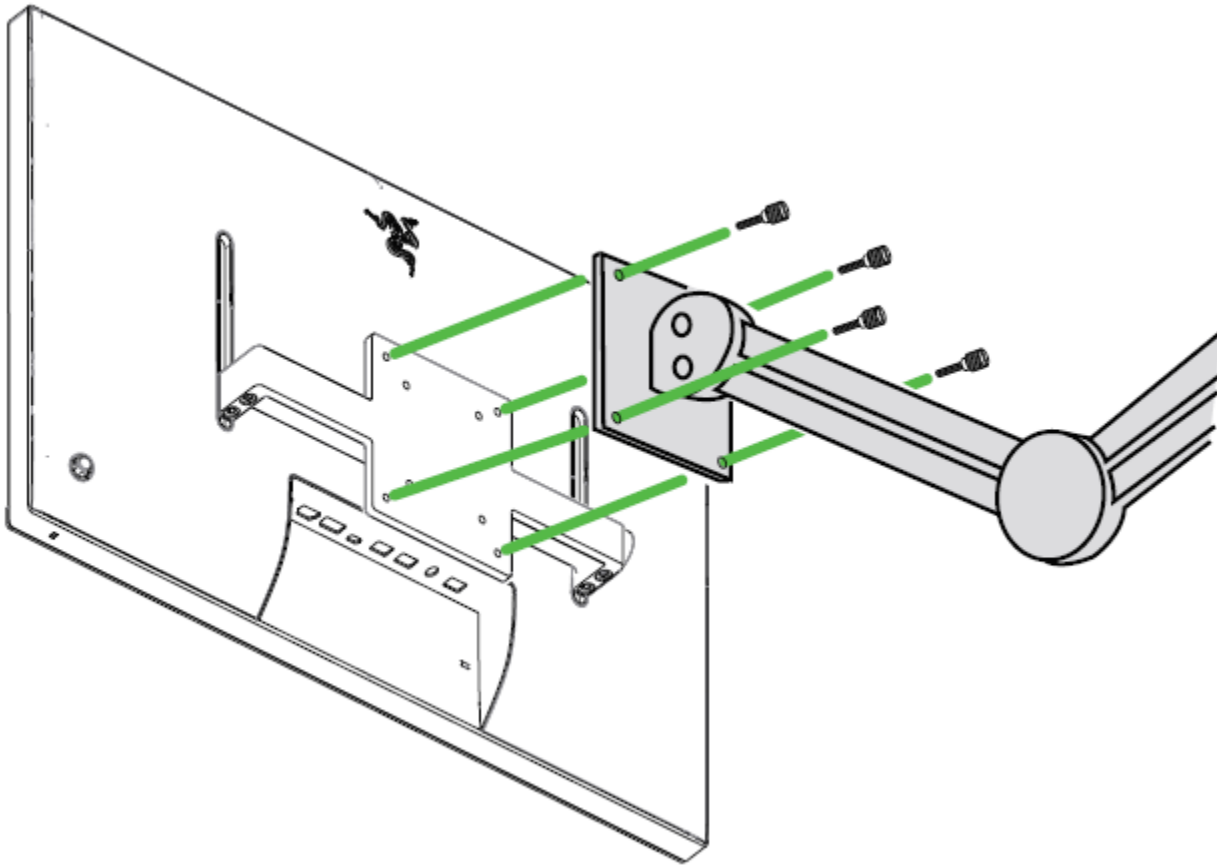


6. Put back the 2 hex screws to each side of the stand.



## ATTACHING YOUR MONITOR TO OTHER MOUNTING DEVICES\*

Insert 4 thumb screws through the holes and fasten it firmly.



*\*Wall mount, desk mount, stand or articulating arm*

*\*\* Articulating arm not included*

Got a question? Ask the Razer Support Team at [support.razer.com](https://support.razer.com)

---

## IMPORTANT SAFETY INSTRUCTIONS

- ! FOLLOW THE MOUNTING DEVICE MANUFACTURER'S INSTRUCTION WHEN MOUNTING THE MONITOR TO A WALL OR ARTICULATING ARM.
  - Failure to read, thoroughly understand, and follow all instructions can result in serious personal injury, damage to equipment, or voiding of factory warranty! It is the installer's responsibility to make sure the accessory is properly assembled and installed using the instructions provided.
  - Failure to provide adequate structural strength for this accessory can result in serious personal injury or damage to equipment! It is the installer's responsibility to make sure the structure to which this accessory is attached can support five times the combined weight of all equipment. Reinforce the structure as required before installing the accessory.
  - Use this accessory only for its intended use as described in these instructions. Do not use attachments not recommended by the manufacturer.
  - Never operate this accessory if it is damaged. Return the accessory to a service center for examination and repair.
  - Do not use this accessory outdoors.
  - Do not use screws that are longer than the standard dimension or do not comply with the VESA standard screw specifications. Screws that are too long may cause damage to the inside of the monitor set.
  - Do not fasten the screws too firmly. This may damage the product or cause the product to fall, leading to personal injury. Razer is not liable for these kinds of accidents.
  - Razer is not liable for product damage or personal injury when a non-VESA or non-specified wall mount is used or when the consumer fails to follow the product installation instructions.
  - Always have two people mount the monitor onto a wall.

---

## LEGALESE

### **COPYRIGHT AND INTELLECTUAL PROPERTY INFORMATION**

©2021 Razer Inc. All rights reserved. Razer, the triple-headed snake logo, Razer logo, "For Gamers. By Gamers.", and "Powered by Razer Chroma" logo are trademarks or registered trademarks of Razer Inc. and/or affiliated companies in the United States or other countries.

Razer Inc. ("Razer") may have copyright, trademarks, trade secrets, patents, patent applications, or other intellectual property rights (whether registered or unregistered) concerning the product in this guide. Furnishing of this guide does not give you a license to any such copyright, trademark, patent or other intellectual property right. The Razer Blade (the "Product") may differ from pictures whether on packaging or otherwise. Razer assumes no responsibility for such differences or for any errors that may appear. Information contained herein is subject to change without notice.

### **LIMITED PRODUCT WARRANTY**

For the latest and current terms of the Limited Product Warranty, please visit [razer.com/warranty](https://razer.com/warranty).

### **LIMITATION OF LIABILITY**

Razer shall in no event be liable for any lost profits, loss of information or data, special, incidental, indirect, punitive or consequential or incidental damages, arising in any way out of distribution of, sale of, resale of, use of, or inability to use the Product. In no event shall Razer's liability exceed the retail purchase price of the Product.

### **GENERAL**

These terms shall be governed by and construed under the laws of the jurisdiction in which the Product was purchased. If any term herein is held to be invalid or unenforceable, then such term (in so far as it is invalid or unenforceable) shall be given no effect and deemed to be excluded without invalidating any of the remaining terms. Razer reserves the right to amend any term at any time without notice.

### **FCC DECLARATION OF CONFORMANCE**

This equipment has been tested and found to comply with the limits for a Class B digital device, pursuant to part 15 of the FCC Rules. These limits are designed to provide reasonable protection against harmful interference in a residential installation. This equipment generates, uses and can radiate radio frequency energy and, if not installed and used in accordance with the instructions,

may cause harmful interference to radio communications. However, there is no guarantee that interference will not occur in a particular installation. If this equipment does cause harmful interference to radio or television reception, which can be determined by turning the equipment off and on, the user is encouraged to try to correct the interference by one or more of the following measures:

- Reorient or relocate the receiving antenna.
- Increase the separation between the equipment and the receiver.
- Connect the equipment into an outlet on a circuit different from that to which the receiver is connected.
- Consult the dealer or an experienced radio TV technician for help.

For more information, refer to the online help system on [razer.com](http://razer.com).

## **FCC CAUTION STATEMENT**

Any changes or modifications not expressly approved by the party responsible for compliance could void the user's authority to operate this equipment.

This device complies with Part 15 of the FCC Rules. Operation is subject to the following two conditions:

- This device may not cause harmful interference, and
- This device must accept any interference received, including interference that may cause undesired operation.

## **IMPORTANT NOTE:**

FCC Radiation Exposure Statement:

This equipment complies with FCC radiation exposure limits set forth for an uncontrolled environment. End users must follow the specific operating instructions for satisfying RF exposure compliance. This transmitter must not be co-located or operating in conjunction with any other antenna or transmitter.

## **USAGE RESTRICTIONS**

This Razer device was developed and designed to comply with the various wireless and telecom agency requirements throughout the world. This ensures that the device do not cause any harm to Public Switching Telecommunication Networks (PSTN) and do not violate any power and frequency spectrum allocations on a country by country basis. This device was also designed to be compliant with regulatory agency limits for Electromagnetic Compatibility (EMC).

### **IMPORTANT NOTICE FOR USE IN HEALTHCARE ENVIRONMENTS**

This Razer device is not a medical device and is not listed under UL or IEC 60601 (or equivalent). This device should be kept at a certain distance to avoid harmful effects to patients or medical equipment.

### **AVIATION USAGE RESTRICTIONS**

Certain restrictions apply to this device while on-board an aircraft. Razer encourages you to understand these restrictions to ensure the flight's safety and security.